

Panasonic®

Ion Styling Iron

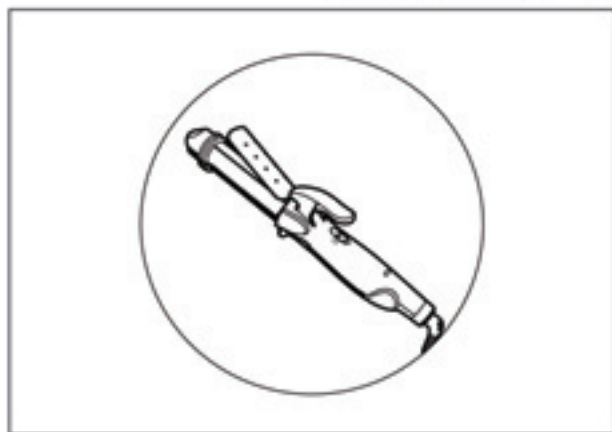
负离子美容烫发梳

Model No. EH1575

型号 EH1575

Operating Instructions

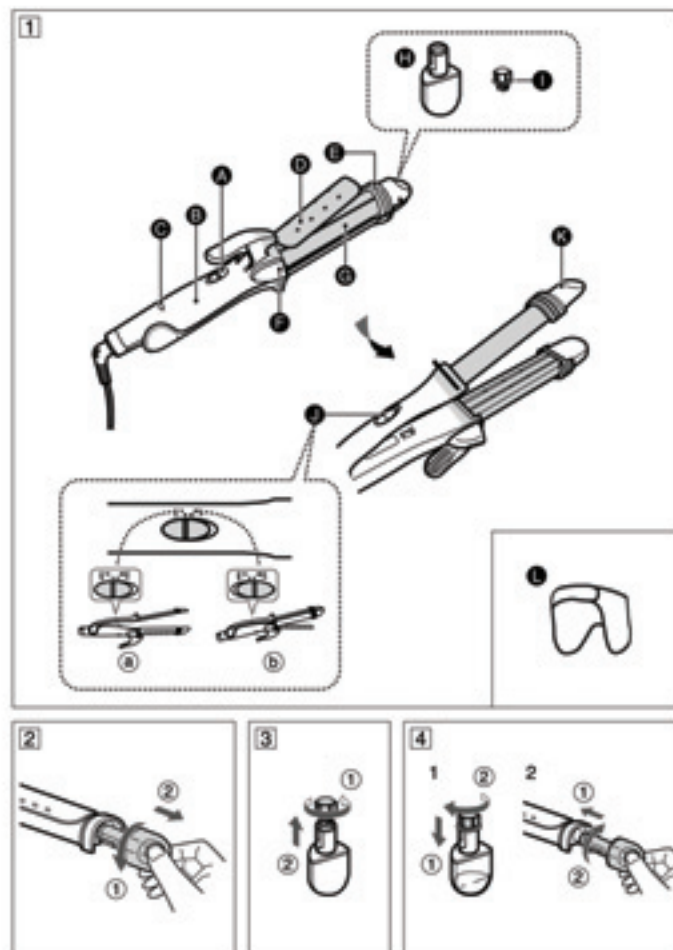
使用说明书

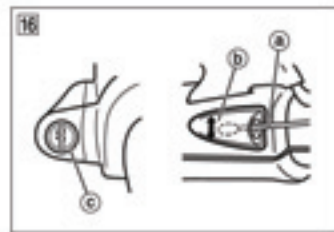
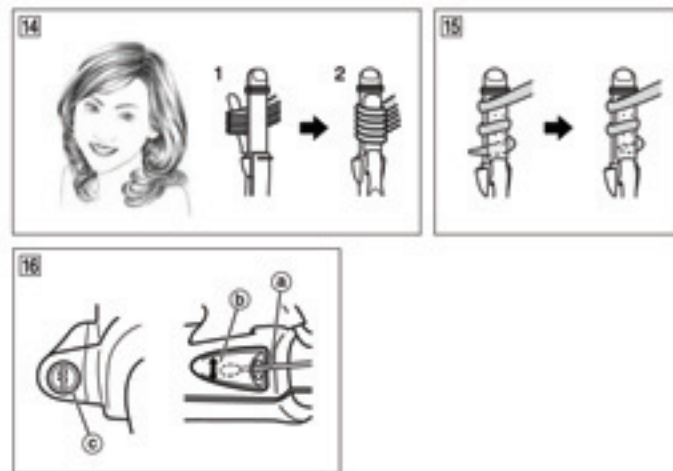
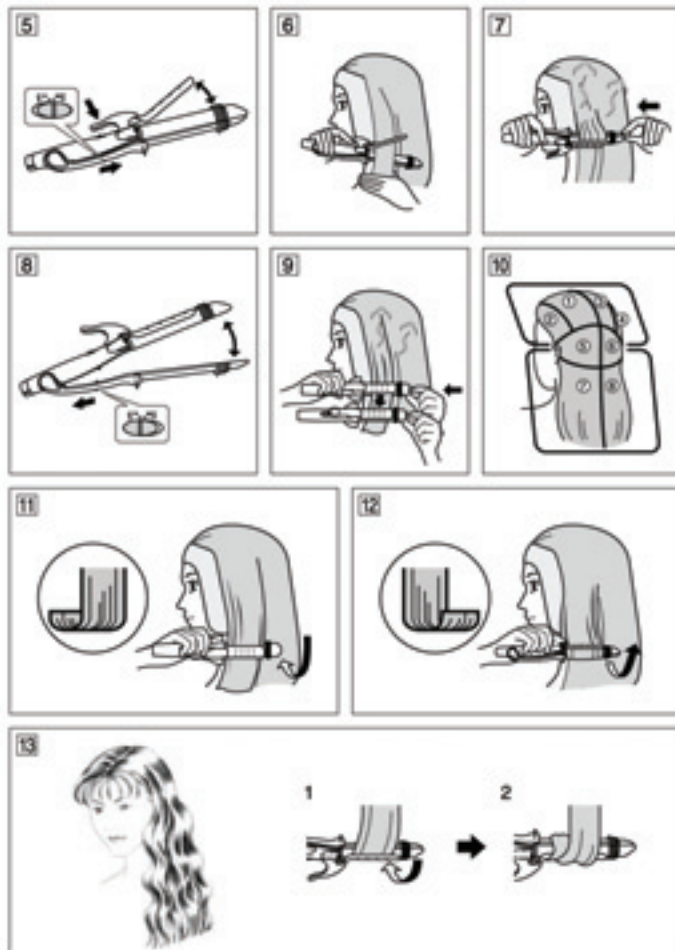


Before operating this unit, please read these instructions completely.
Thank you for purchasing the Panasonic Ion Styling Iron Model No.EH1575.

在使用前, 请仔细阅读此说明书。

承蒙选购Panasonic EH1575型负离子美容烫发梳, 在此谨致谢意。





current not exceeding 30mA in the electrical circuit supplying the bathroom. Ask your installer for advice.

14. Do not attempt to repair, disassemble or modify the appliance by yourself.
 - Doing so may result in fire, electrical shock or other injury due to abnormal operation.
15. Do not get the appliance wet.
 - Doing so may result in electrical shock, short circuit, or fire.
16. Do not use the appliance with wet hands.
 - Doing so may result in electrical shock or short circuit.
17. Do not touch the steam, barrel, or press plate.
 - Doing so may result in burns.
18. Do not bring hands or other exposed skin areas carelessly close to the steam. The steam is not visible, but it can burn you.
19. Do not remove the tank during use or immediately after use.
 - (Remove the tank only after the appliance has cooled down.)
 - Removing the tank when the appliance is hot may result in burns.
20. Do not touch the cap when attaching or removing the tank.
 - Doing so may result in burns.
21. Do not bring the appliance close to your face with the press plate closed when taking a lock of hair.
 - Doing so may result in burns. To avoid burns, always take a lock of hair with the press plate opened.
22. Do not release steam in one area for a long period of time.
 - Doing so may result in burns.
23. Do not release steam directly against the skin.
 - Doing so may result in burns.
24. Keep hands away from steam released.
 - Failure to do so may result in burns.
25. Do not leave the appliance unattended while the power is on.

- The steam and iron plate are extremely hot and may cause fire or the discoloration or warping of nearby objects.
26. Do not use the appliance on infants or for anything other than hair.
 - Doing so may result in burns, fires, or damage to the appliance.
 27. Do not drop the appliance or subject it to impact. Do not use the appliance if damaged.
 - Doing so may result in electrical shock or the appliance catching on fire.
 28. Do not apply any spray directly onto the appliance.
 - Doing so may result in malfunction or fire.
 29. Do not place or store the appliance in or near plastic or other materials that may melt until the press plate and iron plate have cooled.
 - Doing so may weaken the insulation properties and result in electrical shock or fire.
 30. When removing the power cord from the power outlet, hold it by the plug.
 - Failure to do so may result in electrical shock, burns, or fire.
 31. Always throw away water in the tank after use.
 - Failure to do so may result in fire, electrical shock, or burns.
 32. This appliance is designed only for household use.

Part names (Fig. 1)

1. 1/0 slide switch
2. Grip
3. Power lamp
4. Press plate
5. Heat indicator
6. Negative ion nozzle
7. Barrel
8. Tank
 - Replace about once a year. (When the felt inside the cap

- becomes clogged.)
- 1. Cap
- 2. Curling/Straightening slide switch
 - ① Barrel open for straightening
 - ② Barrel closed for curling
- 3. Cool tip

Shaded areas represent heated sections. To avoid burns, do not touch these parts when the appliance is turned on.

Accessory:

- 1. Hair band

Heating the styling iron

1. Remove the tank. (Fig. 2)
 - Do so with the barrel open.
 - If there is water in the tank, remove the cap and throw away the water.
 - ① Turn to the left.
 - ② Pull it out.
2. Remove the cap and fill the tank with tap water.
 - The cap may be hot after using the appliance. Wait for it to cool down before removing it.
 - Use only tap water to avoid damage to the appliance.
 - (1) Remove the cap. (Fig. 3)
 - (2) Fill in water.
 - (3) Moisten the cap felt (for approx. 5 to 6 seconds).
3. Put on the cap and attach the tank to the appliance. (Fig. 4)
 - Wipe off any spilled water before attaching the tank.
 - (1) Put on the cap.
 - (2) Attach the tank.
4. Plug the power cord into the power outlet.
5. Turn the 1/0 slide switch to "1" with the barrel closed. (Green power lamp illuminates.)
 - Negative ions will be released. Note: Negative ions are invisible.
6. Allow 7 to 10 minutes for the appliance to heat to appropriate temperature.
 - Do not confirm temperature by direct

contact. Doing so will cause burns. Steam may not be released if the cap is dry. In this case, soak the cap (for about 10 minutes) and try using again.

Curling hair

Note: When using the appliance close to the skin, such as when curling bangs, wear the hair band provided.

1. Use the curling mode.
 - Set the curling/straightening slide switch to "lock". (Fig. 5)
2. Comb your hair.
3. Take about a 5-cm-wide lock of hair.
 - Take only as much hair as the length of the barrel can hold.
4. Hold the ends of the hair and close the press plate on the lock of hair, leaving about 10 cm from the ends. (Fig. 6)
5. Slide the styling iron down towards the ends of the hair.
6. Curl
 - Be sure to keep the barrel at least 3 cm away from bare skin.
7. Press the tank to release steam. (for approx. 3 seconds) (Fig. 7)
 - Note: Steam is not visible. You will hear a sound when steam is released.
8. Hold in place without using steam. (for approx. 7 seconds)
9. Open the press plate and take the styling iron away from the hair. Repeat step 4 to 9 if hair is difficult to curl.

To straighten hair

1. Use the straightening mode.
 - Set the curling/straightening slide switch to "open". (Fig. 8)
2. Comb your hair.
3. With the tank on the outside, close the press plate and barrel around the hair so that the lock of hair is in the center of the barrel.
 - Take about 5-cm-wide lock of hair. Notes:

- (1) When straightening hair, do not use with more than one lock of hair at a time.
 - (2) Be sure to keep the barrel at least 3 cm away from bare skin.
4. Straighten the hair once while pressing the tank to release steam. (for approx. 3 seconds) (Fig. 9)
- Slide the styling iron slowly towards the ends of the hair. (Do not stop halfway or reverse direction.)
- Note: Wait at least 15 seconds before using the steam again. Steam will not be released unless you wait for another 15 seconds.
5. Straighten the hair without using steam once or twice.
- Slide the styling iron slowly towards the ends of the hair. (For hard-to-straighten hair, repeat several times.)

Curling techniques

Before curling

- Straighten hair.
- If hair is wet, dry it with a hair dryer. (The styling iron will not work effectively on wet hair.)

To make curling hair easier, divide the hair into locks and fasten it with pins. This will make it easier to attain good curls.

- (1) Divide the hair, from the front of the head to a line joining the two ears, into 4 sections (as illustrated by numbers 1 to 4). (Fig. 10)
- (2) Divide the hair at the back of the head into left, right, top, and bottom sections (as illustrated by numbers 5 to 8). (Fig. 10)

Note: Curl the hair starting from the bottom.

Basic curls

Inside curls (Fig. 11)

1. Press plate on the outside
2. Steam (approx. 3 seconds)
3. No steam (approx. 7 seconds)

Outside curls (Fig. 12)

1. Press plate on the inside
2. Steam (approx. 3 seconds)
3. No steam (approx. 10 seconds)

Special curls

Wave (Fig. 13)

1. Inside curls starting from ends of the hair
2. Overlapping curls for each lock of hair
3. Steam (approx. 3 seconds)
4. No steam (approx. 10 seconds)

Shaggy pageboy (Fig. 14)

1. Inside curls starting from ends of the hair
2. Vertical curls for each lock of hair
3. Steam (approx. 3 seconds)
4. No steam (approx. 7 seconds)

Advice

- To avoid crimped ends of hair (Fig. 15) When doing a one-and-a-half or two-rotation curl, open the press plate slightly. Then slide the styling iron towards the ends of the hair so that they are securely wound under the press plate.

What are negative ions?

Negative ions are particles that combine negatively charged oxygen and moisture in the air. Negative ions are invisible to the naked eye because their diameter is just 1/1000th that of a particle of steam. They are generated via a high-voltage discharge method known as a corona discharge.

The effect of ion dose not show up too much on person with features described below.

- Having original curl hair.
- Having hair to be furled easily.
- Having wonderful and tidy hair.
- Having hair marceled no more than 3-4 month.
- Having short hair.

Some odd smell will come along with ion emission, but it does not do harm to health at all.

Cleaning

Always remove the power cord from the power outlet and let the barrel cool down before cleaning the appliance.

Cleaning the appliance

- To clean the appliance, use a cloth that has been soaked in soap and water and well wrung out. Do not use substances like benzene, thinner, and alcohol, since these may crack the surface of the appliance.
- If the felt under the cap of the tank is dirty, clean it with a soft brush while running it under tap water.

To ensure that the appliance does not lose its ability to release negative ions, clean the two negative ion nozzles (left and right side) regularly (about once every 6 months) as described below.

Cleaning method (Fig. 16)

Note: Clean only after turning off the power and removing the power cord from the power outlet.

Use a cotton swab (㉔) to lightly rub (about 5 times) the center of the part (㉕) that is inside of the negative ion nozzles (㉖).

Note: We recommend to use the thin cotton swab for babies. Although regular cotton swabs will work, they may be hard to insert into the nozzles.

Specifications

Power supply	a.c 220V-50Hz
Rated current	0.2A
Barrel diameter	35mm
Tank capacity	Approx. 10.0 ml

Specifications are subject to change without notice.

The appliance apply to:
GB4706.1 GB4706.15
GB4343 GB17625.1

After service

We pledge our product of the best quality, at the same time, you will enjoy our free of charge after service. In two years from the date of purchase, if the appliance has any damage caused because of the manufacturing technological or raw and processed materials, we will offer the free charge service for you. Please fill in the certificate and ask for invoice or valid purchase voucher, if by any chance when your appliance broken down, no matter during guarantee time or not, you always get a high quality service in our service center or special repair shop.

Panasonic**保修内容**

有关保修期内Panasonic商品的无偿修理，从购入之日起开始实施。

保修期内所保修的内容具体如下：

1.保修期内的商品可在松下认定维修店进行保修，保修时，请出示保修证及购机发票。

a.本保修证遗失后不再补发；

b.本保修证仅限于中华人民共和国国内有效(香港、澳门、台湾三地区暂不可使用)。

2.自购入之日起在以下期间内，在正常使用中发生故障的情况下进行无偿修理。

整机……2年内无偿；

3.请注意以下情况，即使在保修期内，也不能以无偿修理对待：

a.不能出示本保修证及购机发票的情况下；

b.保修证的内容未明确记载或未正确记载的情况下；

c.因不正确操作、灾害(地震/火灾/水灾/雷击等)、电源不正常、人为损坏(如：摔落等)所造成故障的情况下；

d.不经松下认定维修店维修人员检查而自行拆修造成故障的情况下；

e.一般家庭以外使用(如工业、商业用)或用于说明书所述的以外使用范围而造成损坏的情况下。

4.在松下认定维修店以外的地方修理时，即使在保修期内，也为收费修理。

松下电器免费顾客咨询服务中心：8008100781

(未开通800业务地区：010-84713131 / 3232)

松下电器网站：<http://panasonic.cn>

松下电器(中国)有限公司

Panasonic**负离子美容烫发梳保修证**

销售店记录

商品名称		商品型号	
机身号码		购买日期	
顾客姓名		联系电话	
顾客地址			
销售店名称		销售店电话	
销售店地址			

维修记录

维修店名称		联系电话		送修日	
维修店地址					
故障内容		故障原因			
维修内容		维修员签字			

维修店名称		联系电话		送修日	
维修店地址					
故障内容		故障原因			
维修内容		维修员签字			

维修店名称		联系电话		送修日	
维修店地址					
故障内容		故障原因			
维修内容		维修员签字			

