

**Safety Instructions**

Please read the safety instructions before using this hair dryer. The safety instructions explained here help you to use this hair dryer safely and correctly, and also to prevent you from injuring yourself or others.

**WARNING: Not following the instructions below may cause fire, burns, explosion, short circuiting or electric shock.**

1. Do not use the dryer with wet hands or in the bath or shower. Do not use this hair dryer near water contained in bath-tubs, basins or other vessels. Do not leave or store the dryer near a tub, sink or other place where it will be exposed to water and other liquids or high humidity.



**Do not use the dryer in a bath or shower.**

2. The electric power supply should come from a properly wired outlet. Also, check the capacity of the outlet and use the dryer separately from other equipment.

3. Always ensure the voltage to be used corresponds to the voltage stated on the unit.

4. Never leave the dryer running.

5. After use or power cut, unplug from the outlet. When unplugging, always grasp the plug and unplug it from the outlet.

6. If the dryer blows air intermittently, discontinue use immediately.

7. Do not pull the cord with unnecessary force. Do not damage or modify the cord. If the cord or plug is damaged or gets hot, discontinue use of the dryer immediately.

8. Avoid dropping the dryer or subjecting it to other excessive shock.

9. Do not use the dryer near gas or other inflammable materials (such as benzene, paint thinner, sprays, etc.).

10. As the handle of the hair dryer incorporates electrical components, the hair dryer must be fixed so that the handle, when fully extended, is out of reach of a person using a bath or shower.

11. The hair dryer is not recommended to use in bathroom. When used in a bathroom, unplug the appliance after use since the proximity of water presents a risk even when the hair dryer is switched off.

For additional protection and to ensure your safety, we advise you to install a residual current device (RCD) with a rated residual operating current not exceeding 30 mA in the electrical circuit supplying your bathroom. Ask your installer for advice.

12. Do not use thinner benzene or other solvents when cleaning the dryer.

13. Be careful that hair is not sucked into the air inlet during use. Never insert foreign objects into the air inlet or outlet. Mechanical damage or shock can result. If the air inlet or outlet are blocked during use, the heater block or dryer maybe not operate. After removing the blockage from air inlet or outlet for several minutes, the dryer can operate again, if not, please contact authorized Panasonic service center.

14. During use, be careful of the healthy quick drying nozzle, which will become hot.

15. Do not direct the airflow towards the eyes or other sensitive areas.

16. Please properly handle the product packaging bags to avoid accidents, such as infant and child choking. Keep the dryer away from children. Close supervision is necessary when the dryer is used by or near children and invalids.

17. If the healthy quick drying nozzle or hair dryer is damaged, stop using it.

18. Do not use the hair dryer for purposes other than drying and styling human hair.

19. Do not use any attachments with this dryer other than those supplied by Panasonic.

20. This appliance is designed only for household use.

21. The effect of ion dose not show up too much on person with features described below.

- Having original curl hair.
- Having hair to be furled easily.
- Having wonderful and tidy hair.
- Having hair marcelled no more than 3-4 month.
- Having short hair.

22. Some odd smell will come along with ion emission, but it does not do harm to health at all.

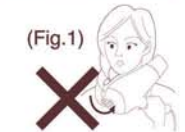
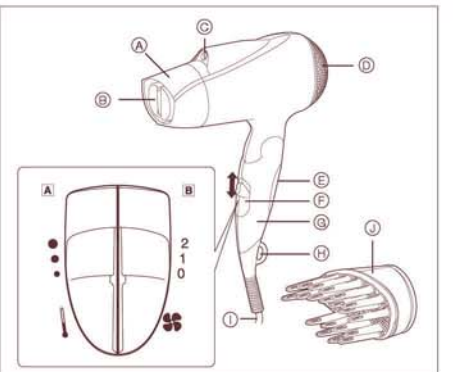
23. **Keep your hair over 10 cm away from the air inlet during use.**(Fig.1)

\* Failure to do so may result in your hair becoming sucked in and trapped in the hair dryer.

24. **Be careful of how you point the hair dryer and do not get the air inlet too close to your hair.**(Fig.2)

\* Please keep a distance of over 3 cm between the air outlet and your hair.

25. Please keep the instructions well.

**Parts Identification**

Ⓐ Healthy quick drying nozzle  
Ⓑ Air outlet  
Ⓒ Negative ion outlet  
Ⓓ Air inlet  
Ⓔ Ion charge panel **EH5264**  
Ⓕ Switch

Ⓖ Handle  
Ⓗ Ring for hanging  
Ⓘ Cord  
Ⓣ Diffuser **EH5264**  
(For creating full-bodied hair with lots of volume and styling)

**How to use the hair dryer**

A. Temperature Selector ( | )

- : Hot air
- : Healthy (warm) air
- : Cool air

B. Main Switch ( | )

- 2: Strong airflow
- 1: Gentle airflow
- 0: Off

**Method of use**

1. Before using the hair dryer, first set the main switch to position "0", then plug in the plug and turn on the main switch.
2. After washing your hair, if you use cool air to dry your hair, set the main switch to position "1" or "2" and set the temperature selector switch to the "● cool air" position. If you want to dry your hair quickly, set the healthy quick drying nozzle in the direction shown in the illustration or set the main switch to the "● healthy air" or "● hot air" position.



3. When finishing your hair, if you want hair with volume, attach the diffuser to the hair dryer, apply the comb on the diffuser to your scalp and move the diffuser around on your head as if drawing large circles. If you want your hair to be combed neatly, use the comb on the diffuser to comb your hair from the ends of your hair. **EH5264**

**Notes:**

- When the main switch is set to position "1" or "2", negative ions, which are invisible to the naked eye, are produced.
- Gripping the ion charge panel has the benefit of more negative ions continuing to penetrate into the hair, supplementing the moisture content, moistening the hair and giving clearer results in relation to the negative ions. **EH5264**
- If you are worried about damaging your hair, set the switches to the "● healthy air" and "1" position respectively prior to use.

**Panasonic Ionic Technology**

The Panasonic Hair Dryer uses negative ions to reduce the heat damage when drying hair. Negative ions reduce the build-up of static electricity and help to keep your hair in excellent condition by allowing moisture to penetrate deep into hair and then locking it in.

Notes - The effect of ion dose not show up too much on person with features described below.

- Having original curl hair.
- Having hair to be furled easily.
- Having wonderful and tidy hair.
- Having hair marcelled no more than 3-4 month.
- Having short hair.

**Repair and Maintenance of the Hair dryer**

1. Do not attempt to repair, disassemble, or modify the hair dryer by yourself.
2. If the cord or plug is damaged, stop using it immediately and contact an authorized Panasonic service center for a replacement so as to avoid any danger.
3. If air frequently becomes cold when using hot air, or sparks are sometimes seen inside the hair dryer, please seek advice or contact an authorized Panasonic service centre for repair.
4. If sparks occur inside the negative ion outlets, this may be due to the electrodes becoming dirty, resulting in abnormal discharge. If this happens, clean the parts of the inside of the negative ion outlets in accordance with the cleaning method below.

**Cleaning method**

Clean only after turning off the power and removing the power cord from the power outlet.

Use a cotton swab to lightly rub (about 5 times) the point of the needle that is inside the negative ion outlets.

We recommend the thin cotton swabs made for use with babies. Although regular cotton swabs will work, they may be hard to insert into the outlets.

Do not use hard objects to clean, or allow hard objects to come into contact with, the parts of the negative ion outlets so as to avoid causing them to become deformed, which would affect the discharge of negative ions and be dangerous.

**Specifications**

Model No.: EH5263/EH5264

Power source: a.c 220 V ~50 Hz

Power consumption:

Temperature Selector	● Hot air	● Healthy air	● Cool air
2 Strong airflow	1600 W	1050 W	160 W
1 Gentle airflow	1000 W	550 W	85 W

Dimensions: 76 (W) × 185 (D) × 218 (H) mm

Accessory: Healthy quick drying nozzle, Diffuser **EH5264**

This hair dryer is applied to:

GB4706.1 GB4706.15 GB4343.1

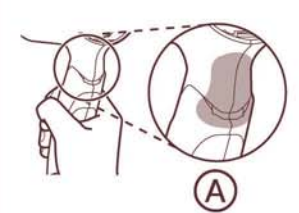
GB17625.1 Q/(GZ) PEWWBG 7

**CAUTION!**

**Failure to follow these safeguards could result in injury to fingers.**

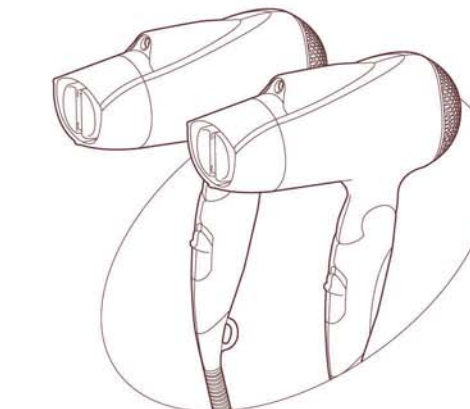
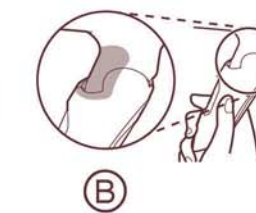
**Ⓐ When extending the handle**

DO NOT TOUCH the shaded area in the diagram below when holding the handle or using the hair dryer.



**Ⓑ When retracting the handle**

DO NOT TOUCH the shaded area in the diagram below when retracting the handle.



Before operating this ion hair dryer, please read these instructions completely and save this manual for future use.  
在使用前, 请仔细阅读此说明书并保管好该手册, 以备将来参考。

**Panasonic**

Ion Hair Dryer  
负离子电吹风

# Operating Instructions

## 使用说明书

Model No.  
型号 EH5263/EH5264



## 安全说明

使用电吹风前请先阅读安全说明。该安全说明能帮助您安全正确地使用电吹风，避免您伤害自己或他人。

### 警告：如果不遵守下列说明，可能会造成火灾、烫伤、短路或触电事故。

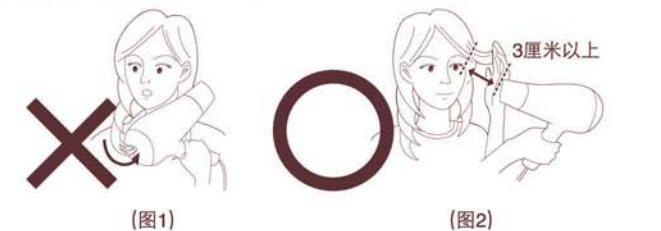
1. 不要在手湿的情况下使用电吹风。不要把电吹风放置或存放在靠近水槽、有水或其它盛有液体、高度潮湿的地方。

### 警告：不要在盛水的浴缸、淋浴、洗脸盆或其它器皿附近使用本电吹风。禁止在洗澡和淋浴时使用。

- 电吹风必须使用标准的电源插座，并且检查插座的输出电压，同时要与其它电器分开使用。
- 要确保所使用的电压与本机标明的额定电压相符合。
- 绝对不能在电吹风启动的情况下离开。
- 使用完毕或使用中遇到停电时，必须从插座上拔下插头。拔出插头时，必须捏住插头从插座上拔出。
- 假如电吹风在运转时出现断断续续的情况，这时请立即停止使用。
- 不要用力拉扯电源线，不要损坏或改装电源线。假如电源线或插头损坏或变热，请立即停止使用。
- 避免掉落电吹风或让电吹风受到强烈的撞击。
- 不要在石油气或其它易燃品（例如挥发剂、涂料稀释剂、喷雾剂等）附近使用电吹风。
- 由于电吹风的手持部分装有电气元件，所以电吹风安装固定的地方必须确保手持部分在完全拉直时，洗澡或淋浴的人仍无法接触到。
- 尽量避免在浴室使用电吹风。若要在浴室使用时，使用后一定要拔下插头，因为即使电吹风断电后，接近水仍存在危险。为增加保护以保障您的安全，建议在给浴室供电的电气回路中安装一个额定漏电动作电流不超过30mA的漏电保护开关，为确保安全，请向合格电工咨询。
- 不要使用稀释剂、苯和其它溶解剂来清洁电吹风。

- 在使用中小心不要让头发卷入入口，不要把外物插入出风口和入口，否则会导致机械损坏或触电。如在使用过程中入口或出风口被堵塞时，可能导致加热器或者电吹风不能工作。假如出现这种情况，请立即停止使用，切断电源开关并拔下插头，清除入口或出风口的堵塞物。让电吹风冷却几分钟后，如果再次接通电源不能恢复正常工作时，请联系Panasonic授权维修中心修理。
- 在使用过程中，护发快干风嘴可能会变热，请注意使用。
- 不要直接将气流吹向眼睛或其它敏感部位。
- 请妥善处理本产品的包装袋，避免婴幼儿窒息等意外发生。请将电吹风置于儿童触摸不到的地方，在小孩或残疾人使用或接近本电吹风时，应对其密切看护。
- 如果护发快干风嘴或电吹风受损，请勿使用。
- 不要将电吹风用于吹干头发和整发以外的其他用途。
- 不要把非本公司提供的任何附件与本电吹风连用。
- 本电吹风仅供家庭使用。
- 下述人不容易出现负离子的效果

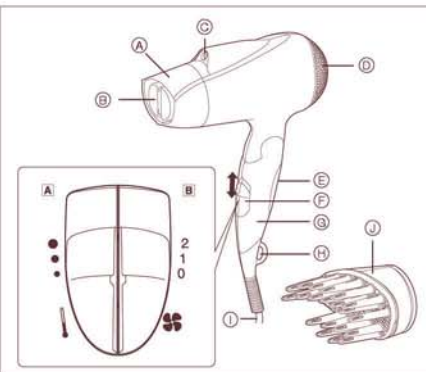
- 天然卷发的人
  - 头发容易卷曲的人
  - 发质本身很好，不易凌乱的人
  - 负离子烫发未超过3-4个月的人
  - 短发的人
- 负离子在产生时会有异味发生，这种异味对身体健康是没有任何危害的。
  - 使用时请让头发距离入口10厘米以上。[图1]  
\*否则可能会导致头发被吸入电吹风内。
  - 请注意电吹风的朝向并且不要使入口距离头发太近。[图2]  
\*出风口和头发之间请保持3厘米以上距离。
  - 请妥善保管本使用说明书。



(图1)

(图2)

## 部件名称



- A 护发快干风嘴
- B 出风口
- C 负离子发射口
- D 入风口
- E 负离子感应板 (EH5264 专用)
- F 开关
- G 手柄
- H 挂环
- I 电源线
- J 扩散风嘴 (EH5264 专用)

## 如何使用电吹风

- A. 温度选择开关 (↓)
- ：热风
- ：健康风(暖风)
- ：冷风
- B. 电源开关 (☘)
- 2：强风
- 1：柔风
- 0：关

## ●使用方法

- 在使用电吹风之前，请先将电源开关设置在[0]位置，然后插入电源插头，并打开电源开关。
- 洗发后，如果使用冷风吹发时，请将电源开关设置在[1]或[2]的位置，并将温度选择开关设置在[●冷风]位置。如想将头发迅速吹干，请按照图中所示的方向调整护发快干风嘴，或者将电源开关设置在[●健康风]或[●热风]的位置。



- 整发时，如果您希望头发蓬松，请将扩散风嘴安装于电吹风上，并使扩散风嘴上的梳子贴在发根处，然后像画大圆圈一样在头上移动电吹风。如果您想让头发梳理整齐，请用扩散风嘴上的梳子从发梢梳理头发。(EH5264 专用)

## 注意：

- 电源开关设置在[1]或[2]的位置时，才会产生负离子，但肉眼无法见到负离子。
- 当手握住负离子感应板时，有利于更多的负离子持续渗透到发芯中补充水分，滋润头发，使负离子效果更加显著。(EH5264 特有功能)
- 如果您担心发质受损，使用前请将开关分别调到[●健康风]和[1]的位置。

## ●Panasonic 负离子技术

Panasonic 电吹风用负离子来减轻吹发时高温对头发的伤害。负离子能减少静电积聚，让水分渗入并锁定在发芯中，时刻保持秀发亮丽。注意：下述人不容易出现负离子的效果

- 天然卷发的人
- 头发容易卷曲的人
- 发质本身很好，不易凌乱的人
- 负离子烫发未超过3-4个月的人
- 短发的人

## 电吹风的修理和维护

- 请勿自行修理、拆卸或改装电吹风。
- 如果电源线或插头损坏，为避免危险，请立即停止使用，并联系Panasonic授权的维修中心进行更换。
- 如果使用热风时吹出的风经常变冷，并且电吹风内部时见到火花。请咨询或者联系Panasonic授权的维修中心进行维修。
- 如果火花出现在负离子发射口内，则可能是电极变脏，导致异常放电引起的。如果出现这种情况，请尝试按照以下清洁方法清洁负离子发射口内的部件。

## ●清洁方法

清洁前请关闭电源并拔下电源插头。负离子发射口内有一根针，请用棉球轻轻擦拭（约5次）该部件的尖端部分。我们建议您使用婴儿专用的细棉球。虽然普通棉球也能使用，但它们很难插入发射口。请勿用硬物清洁或触碰负离子发射口内的部件，以免导致其变形，影响负离子的发射及产生危险。

## 规格

型号：EH5263/EH5264  
电源：a.c 220 V ~50 Hz  
耗电量：

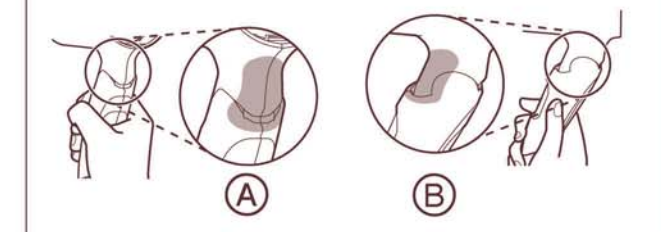
温度选择开关	● 热风	● 健康风	● 冷风
2 强风	1600 W	1050 W	160 W
1 柔风	1000 W	550 W	85 W

尺寸：76（宽）× 185（深）× 218（高）毫米  
附件：护发快干风嘴、扩散风嘴 (EH5264 专用)  
本电吹风符合中国以下标准：  
GB4706.1 GB4706.15 GB4343.1  
GB17625.1 Q/(GZ) PEWWBG 7

## 注意！

若不遵守以下安全措施可能会导致手指受伤。

- ①展开手柄时 握住手柄或使用电吹风时，切勿接触下图中的阴影部分。
- ②折叠手柄时 折叠手柄时，切勿接触下图中的阴影部分。



# Panasonic

## 保修证

### 保修条款

有关保修期内Panasonic商品的保修(无偿修理)，自购入之日起开始实施。

- 保修期内的商品只可在松下维修店进行保修；保修时，请出示本保修证及购机发票。以下两点需特别注意：  
a.本保修证遗失后不再补发，请妥善保管；  
b.本保修证仅限于中华人民共和国国内有效(但香港、澳门、台湾三地暂不可使用)。
- 自购入之日起在以下期间内，在正常使用中发生故障的情况下进行保修。  
a.整机(除刀头、刀网、替刃、修剪刀外)2年内无偿；  
b.专业理发器6个月内无偿；  
c.附件：刀头、刀网、替刃、修剪刀有偿提供(不在保修范围内)。
- 属下列情况之一者，即使在保修期内，也不能以保修对待，但是可以实行收费修理：  
a.未按商品使用说明书要求使用、维护、保管而造成损坏的；  
b.因不正确操作、电源不正常、破损(如：掉落等)而造成损坏的；  
c.不经松下认定维修店维修人员拆卸造成损坏的；  
d.不能出示本保修证及有效购机发票的；  
e.保修证上记录的信息与商品实物标识不符或者涂改的；  
f.因不可抗力因素(如雷电、地震、火灾、水灾等)造成损坏的。
- 本保修条款只适用于消费者个人为生活需要而购买使用的场合，不适用于经营性使用。

松下电器顾客咨询服务中心：800-810-0781  
手机/小灵通/未开通800业务地区：400-810-0781  
松下电器网站：<http://panasonic.cn>

松下电器(中国)有限公司

### 商品信息/销售记录(未完整记录以下信息将可能无法进行保修)

商品名称	负离子电吹风	商品型号	EH5263/EH5264
制造编号		产地	中国
销售日期		发票号码	
顾客姓名		联系电话	
顾客地址		邮编	
销售店名称		销售店电话	
销售店地址		邮编	

### 维修记录

维修店名称	联系电话	送修日
维修店地址		邮编
故障内容	故障原因	
维修内容		
维修员签字	交验日期	

维修店名称	联系电话	送修日
维修店地址		邮编
故障内容	故障原因	
维修内容		
维修员签字	交验日期	

维修店名称	联系电话	送修日
维修店地址		邮编
故障内容	故障原因	
维修内容		
维修员签字	交验日期	

本保修证内容如有变更恕不另行通知。