

Panasonic®

Wet/Dry Ladies Shaver
女用剃毛器

Model No.ES2236/2235

型号 ES2236/2235

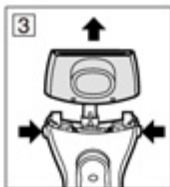
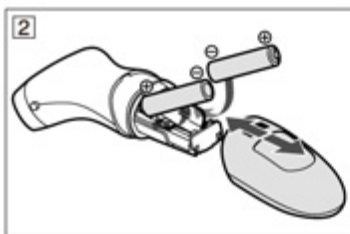
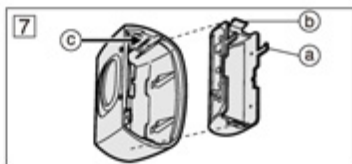
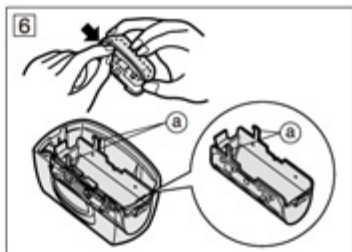
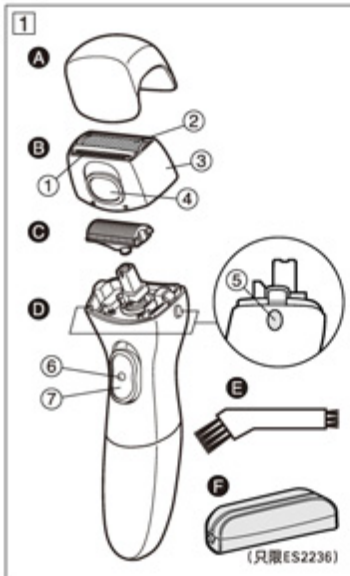
Operating Instructions 使用说明书



Before operating this unit, please read these instructions completely.
Thank you for purchasing the Panasonic Wet/Dry Ladies Shaver Model No.ES2236/2235.

在使用前，请仔细阅读此说明书。

承蒙选购Panasonic ES2236/2235型女用剃毛器，在此谨致谢意。



Caution

注意书

- The outer foil is very thin and should not be exposed to excessive pressure or impact which may deform or damage it.
外刀网薄而精密，若施加过大压力或受到撞击容易引起变形或损坏。
- If the outer foil is deformed or damaged, do not shave with it, because skin irritation can result.
外刀网若变形或损坏，请勿继续使用，以免损伤皮肤。
- Caution : Be attention that you may gently increase the amount of pressure as your skin becomes accustomed to this shaver, otherwise it may hurt the skin.
注意：初期使用时，请勿施加过分的力度，否则可能会造成皮肤损伤。
- Both the foil and the blade have a limited service life. To keep a better result, we suggest you to replace the outer foil and the inner blade at regular intervals.
刀具是有使用期限的，为保持良好的效果，我们建议您定期进行更换。
- Both the foil and the blade are available in the department store or Panasonic service station.
所需更换的 Panasonic 刀具可到附近百货店或特约维修店购买。

Panasonic
女用剃毛器

Before use

This Ladies Wet/Dry shaver can be used for a wet shave with shaving lather or for a dry shave. You can immerse this watertight ladies shaver in water for cleaning, or shave with it while showering. Our research has shown that you can enjoy closer and smoother shaves using warm water and shaving lather. Treat yourself to wet lather shaves for at least three weeks and notice the difference. And our pop up trimmer will be able to cut longer hairs with ease.

Cleaning is so simple. Just rinse out the shaving head under the tap or shower. No mess, no fuss!

The shaver apply to: Q/(GZ)PEWWBG 6.

Specifications

Power supply:

Dry cell battery

Battery size:

AAA alkaline battery × 2 (not included)

Weight:

Approx. 105g (including batteries)

Part names (Fig.1)

- A** Protective Cap
- B** Shaver head
 - ① Trimmers
 - ② Outer foil (net blade)
 - ③ Foil frame
 - ④ Trimmer handle
- C** Inner blade
- D** Main body
 - ⑤ Frame release button

⑥ Switch lock button

⑦ Switch

E Brush

F Soft case (ES2236 only)

Installing the Batteries (Fig.2)

(batteries are not included)

Remove the battery cover

Insert two AAA alkaline batteries to match the + and - symbols.

Attach the battery cover

If the shaver is wet, wipe carefully so that water does not enter the main body.

- The shaver is usable for approximately one month with two Panasonic's AAA alkaline batteries. *This assumes five minutes of use, three times a day.*
- Do not use a fresh battery with an old battery. Also, do not use rechargeable batteries. *Leakage of liquid or gas from the batteries may cause damage to the shaver.*
- Use only AAA alkaline batteries. Other batteries result in lower power and shorter operating times.
- When the blade speed decreases, replace the batteries with new ones.
- Use the shaver in temperatures from 0° C to 40° C to maintain optimum battery performance. If the shaver is not to be used for

a long period of time,remove the batteries.

Failure to do so may result in leakage of liquid or gas from the batteries and cause damage to the shaver.

Using your shaver

If using the ladies shaver for the first time,we recommend that you start by using the shaver gently against the skin.

Shaving with soap lather

- Shaving with lather makes the skin slippery for a closer shave.
- Do not use shaving cream,skin cream,or skin lotion.

Doing so will clog the blades.

Shaving without soap lather

- If the skin is wet, the shaver does not slide as easily and results in a rough shave. Wipe off all perspiration before shaving.
- The use of body powders under the arm results in a smoother shave.
- If you use a deodorant, wash the shaver each time.
Failure to do so may cause the blades to rust.
- If you shave with soap lather,soap may remain on the blades after use. Use a brush and wash with water. Use the long brush for the outer foil and the short brush for the inner blade.Washing in warm water is more effective.
- If you do not shave with soap lather, wash in water or with a brush every three times of use.

Using your shaver

- Remove the cap.
- Check that the outer foil and the inner blade are not deformed or damaged.
Deformed or damaged blades may cause skin injuries.
- While pressing the switch lock button, turn on the switch.
The switch cannot be turned unless the switch lock button is pressed.

Holding and moving the shaver against the skin

- Hold the shaver blade flat against the skin. Hold the shaver blade so that it is gently in contact with the skin.
- Slowly move the shaver against the direction of hair growth.
Pressing the shaver too hard against the skin will prevent hair from being guided properly and result in a rough shave.

Cutting hairs longer than 0.5 cm

- Pop up the trimmers and turn on the switch.
- Gently hold the blade in contact with the skin and move slowly.
If hairs collect in the trimmers,clear off with the brush. Failure to do so will result in a rough shave.

Suggested use

Underarm:Lift the arm to stretch the skin and shave in various directions.

Leg:Shave from ankles to knees.

Arm:Shave from outside to inside.

Bikini line: Use the trimmer for the bikini line. Pop up the trimmer and cut excess hair along the desired bikini line.

On areas with loose skin (inside the elbows and knees), pulling the skin taut results in a closer shave.

Maintenance

Be sure to turn off the switch.

Cleaning with the brush

- Remove the frame while pressing both frame release buttons. (Fig.3)
- Remove the inner blade by pulling it straight out and clean with the brush. (Fig. 4)

Use the long brush for the outer foil, frame, and main body, and the short brush for the inner blade.

Washing with water (Fig. 5)

Be sure not to damage the blades!

- Remove the frame.
- Wash in cold or warm water.
- Attach the frame and wipe off all water. Dry the shaver, and then attach the cap.

After cleaning the shaver, apply one or two drops of Panasonic Oil (not included) on the outer foil and the trimmer. Then turn on the switch to run the shaver for 2–3 seconds.

It is recommended that you apply oil after each use if shaving with soap lather.

Use a dry cloth to clean off any res

idue on the blades.

Replacing Shaving head components

It is recommended that you replace the outer foil at least every year and the inner blade at least every two years to maintain your shaver's cutting performance.

Replacing the outer foil

Never remove the outer foil except when replacing it.

Removing the outer foil (Fig. 6)

Grasp® (the tabs) of the outer foil inside the frame and push inward to remove.

Attaching the outer foil (Fig. 7)

Grasp® (the tabs) of the outer foil, insert the outer foil into the frame, and press® to lock with®.

Removing the inner blade (See Fig.4)

Removing the inner blade by grasping it firmly at both ends and pulling it straight away from the shaver.

Attaching the new inner blade (See Fig.4)

Hold the inner blade at both ends and guide it onto the inner blade mount. Press it firmly into the mount until it snaps in place.

Caution

1. Persons who have sensitive skin or

an allergy to cosmetics, or who are easily irritated by shaving, should make a test on one section of the arm or leg before using the shaver.

2. Do not use the shaver if it has a damaged foil and/or blade, as injury can result.
3. Do not submerge the shaver for a long time.
4. Do not use paste-type shaving cream as it may stick to the inner blade. Use foam or lather.
5. Wash the shaver in tap water. Do not use sea water, detergent or hot water.
6. Do not take apart the housing as this can affect the watertight construction. If the shaver is not working properly, have it inspected by an authorized service center.

Use this shaver for its intended use, which is described in this manual.

Please keep the instructions well.

After service

We pledge our product of the best quality, at the same time, you will enjoy our free of charge after service. In two years from the date of purchase, if the shaver has any damage caused because of the manufacturing technological or raw and processed materials, we will offer the free charge service for you. Please fill in the certificate and ask for invoice or valid purchase voucher, if by any

when your shaver broken down, No matter during guarantee time or not, you always get a high quality service in our service center or special repair shop.

使用前

ES2236/2235干/湿两用女用剃毛器可直接用于干剃，亦可使用香皂泡进行湿剃。ES2236/2235女用剃毛器具有密封防水功能，既可放入水中清洗，亦可在沐浴时使用。根据本公司的研究结果，使用温水和香皂泡辅助湿剃可以剃得更加服帖干净。请先试用香皂泡湿剃三个星期左右，并注意不同之处。推出式修剪刀可轻易地修剪长毛。清洗简单，只需用清水冲洗女用剃毛器头部即可洗得干干净净。本剃毛器符合Q(GZ)PEWWBG 6标准。

规格

电源方式：干电池式

电池种类：LR03(7号碱性)干电池二节

重量：约105g(不含电池)

部件名称 (参见图1)

- A** 保护盖
- B** 外刃组件
 - ① 修剪刀
 - ② 外刃刀(不锈钢刀网)
 - ③ 外刃架
 - ④ 修剪刀操纵杆
- C** 内刀头
- D** 本体
 - ⑤ 外刃架装卸按钮
 - ⑥ 开关锁定扣
 - ⑦ 电源开关
- E** 小刷子
- F** 携带小包(仅限ES2236)

电池的安裝 (参见图2)

(电池另售)

取下电池盖

按电池的正负极性放入两枚7号碱性电池。

装上电池盖

若机身上有水，请先擦干后再装上电池盖，以避免水进入机身内。

- 根据以往经验，使用松下7号碱性干电池，大约可使用1个月(每天使用三次，每次五分钟)。
- 不可同时使用一新一旧的电池，亦不可使用充电电池。电池的漏液或漏气可能会对剃毛器造成损害。
- 请只使用7号碱性电池，其他电池电力较弱，使用时间较短。
- 当刀刃速度降低时，表示电池的电量减弱，此时请更换电池。
- 请在最适宜电池性能发挥的0° C-40° C的温度下使用本剃毛器。长时间不使用时，应取出电池以避免电池漏液而对器具造成损坏。

使用方法

初次使用时，建议您轻贴皮肤而使用。

湿剃

- 使用肥皂泡进行湿剃，更为顺滑。
- 请勿使用霜状剃须膏，以免阻碍刀头的运作。

干剃

- 当皮肤上有水时，剃毛器不能轻易地滑动，请在使用前将水或汗擦干。
- 若使用爽身粉会更顺滑。
- 如果您使用除臭剂，请在每次使用

后清洗剃毛器，以免刀头生锈。

- 当使用肥皂泡湿剃时，使用后肥皂泡可能留在刀刃上，请用小刷子进行清洗。外刀网用长毛刷，内刀头用短毛刷，用温水清洗，效果更好。
- 当进行干剃时，请每隔三次用小刷子对剃毛器进行清洗。

使用方法

- 取下保护盖
确认内外刀刃有否变形或破损，以免伤害皮肤。
- 按下开关锁定扣，启动电源开关。
(电源开关无法被启动直至开关锁定扣被按下)
- 将剃毛器轻贴皮肤，并逆着毛发生长的方向慢慢移动。
请勿施加过大的力，以便毛发能完全顺利地导向刀刃部分。
- 修剪长于0.5cm的毛发时，请推出修剪刀并启动电源开关，使修剪刀轻贴皮肤并慢慢移动剃毛器。当修剪刀上聚集毛发时，请用小刷子进行清扫。

使用方法推荐

腋下：举起胳膊，令腋下皮肤完全伸展，从不同的方向使用。

腿：从踝到膝盖的方向使用。

手臂：由外向内使用。

比基尼部位：使用修剪刀剪出想要达到的效果。

对于皮肤皱起的部位(如：肘、膝盖)，使用时请绷紧皮肤。

维护与保养

确保关闭电源。

用小刷子清扫

- 按下外刀架装卸按钮，取下外刀架。(参见图3)
- 捏住刀头的两端，向正上方拔出并用小刷子清扫。(参见图4)
- 用长毛刷清扫外刀网，外刀架及本体，内刀头用短毛刷。

用水清洗(参见图5)

确保不要损坏刀头。

· 取下外刀架

· 用冷水或温水清洗。

· 装上外刀架并擦干本体，待干后，盖上保护盖。

在清洗完剃毛器后，应给刀刃加注1~2滴松下润滑油(另售)，然后启动剃毛器，使其运转2~3秒即可。

为了保证剃毛效果，延长刀刃的使用寿命，建议在每次湿剃后都给刀刃加注润滑油，并用干布擦干净刀刃上的附着物。

刀具的更换

为保持良好的效果，如每星期使用两次的話，原则上外刀网每年需要更换一次，而内刀头则需每两年更换一次。当然，顾客亦可根据实际效果来决定是否需要更换刀刃。

刀具的更换方法

更换外刀网

除更换外刀网外，请勿卸下外刀网。

取下外刀网(参见图 6)

捏住外刀网的突起部分③, 向内推, 取出外刀网。

装上外刀网(参见图 7)

捏住外刀网的突起部分③, 使其滑入外刀架内, 并使③部位锁于④部位即可。

更换内刀头(参见图 4)

捏住内刀头两端, 向正上方拔出。

装上新内刀头(参见图 4)

捏着新内刀头两端, 向下压入直至配合定位。

注意事项

1. 皮肤敏感或对化妆品有过敏症及剃毛时容易受到刺激的女士, 请在使用剃毛器前, 先在手臂或腿部上试用。
2. 内外刀刃损坏时, 请勿使用剃毛器, 以免受伤。
3. 本剃毛器虽然防水, 但也建议您勿将剃毛器浸泡在水中。
4. 请勿使用霜状剃须膏, 以免粘着于刀具。使用香皂泡时, 香皂应完全溶于水, 不可残留膏状物。如果刀刃附着膏状物, 应用小刷子轻轻地清除干净。否则, 易滋生细菌而导致皮肤感染, 时间久了, 还会在刀刃上产生类似锈痕的脏物。
5. 请用自来水冲洗剃毛器。请勿使用海水、有腐蚀性的清洁剂或热水清洗。
6. 请勿拆下外壳, 以免影响防水结构。若剃毛器出现故障, 应到服务

中心或特约维修店检查。

7. 本女用剃毛器只能用于说明书所述用途。

8. 请妥善保管本使用说明书。

售后服务

在保证该产品品质优良的同时, 您将享有我们的免费服务保证。从购买之日起二年内, 若发生任何因制造工艺或原器件造成之损坏, 我们将为您提供免费门市维修服务, 请填好附带的保修证(说明书内)并向购买店索取发票或有效购买凭证, 以备万一发生之使用, 而不造成您的经济损失(详情见保修证)。无论在保修期内或保修期后, 您皆可在服务中心或特约维修店获得优质的维修服务。

如有任何问题, 请与我们联系。

Panasonic®

保修内容

有关保修期内Panasonic商品的无偿修理，从购入之日起开始实施。
保修期内所保修的内容具体如下：

1. 保修期内的商品可在松下认定维修店进行保修，保修时，请出示保修证及购机发票。
 - a. 本保修证遗失后不再补发；
 - b. 本保修证仅限于中华人民共和国国内有效(香港、澳门、台湾三地区暂不可使用)。
2. 自购入之日起在以下期间内，在正常使用中发生故障的情况下进行无偿修理。
整机……2年内无偿；
3. 请注意以下情况，即使在保修期内，也不能以无偿修理对待：
 - a. 不能出示本保修证及购机发票的情况下；
 - b. 保修证的内容未明确记载或未正确记载的情况下；
 - c. 因不正确操作、灾害(地震/火灾/水灾/雷击等)、电源不正常、人为损坏(如：摔落等)所造成故障的情况下；
 - d. 不经松下认定维修店维修人员检查而自行拆修造成故障的情况下；
 - e. 一般家庭以外使用(如工业、商业用)或用于说明书所述的以外使用范围而造成损坏的情况下。
4. 在松下认定维修店以外的地方修理时，即使在保修期内，也为收费修理。

松下电器免费顾客咨询服务中心：8008100781
(未开通800业务地区：010-84713131 / 3232)
松下电器网站：<http://panasonic.cn>

松下电器(中国)有限公司

Panasonic®

女用剃毛器保修证

销售店记录

商品名称		商品型号	
机身号码		购买日期	
顾客姓名		联系电话	
顾客地址			
销售店名称		销售店电话	
销售店地址			

维修记录

维修店名称		联系电话		送修日	
维修店地址					
故障内容		故障原因			
维修内容		维修员签字			
维修店名称		联系电话		送修日	
维修店地址					
故障内容		故障原因			
维修内容		维修员签字			
维修店名称		联系电话		送修日	
维修店地址					
故障内容		故障原因			
维修内容		维修员签字			

松下电工·万宝电器(广州)有限公司 (PEWWBG)
Panasonic Electric Works Wanbao (Guangzhou) Co.,Ltd.

工厂地址 : 广州市番禺区市广路万宝基地

(Address) : Wanbao Base, Shiguang Road, Panyu District, Guangzhou

电话(Tel) : (020)84770333

传真(Fax) : (020)84773033

邮政编码(Post Code) : 511495