

Panasonic®

使用说明书
Operating Instructions

口腔冲洗器
Rechargeable Oral Irrigator

型号 EW-DJ40
Model No.

中文 **2**

English **11**

在使用本产品前，请仔细阅读本说明书并妥善保管，以备将来参考。

Before operating this unit, please read these instructions completely and save them for future use.



安全注意事项

本节提供的所有信息都是为了指导您正确、安全地使用本器具，以避免您自己及他人受到伤害和财产损失。

■使用不当所致的伤害和损害分类说明如下。

⚠ 危险

表示“极有可能造成死亡或严重伤害的内容”。

⚠ 警告

表示“可能造成死亡或严重伤害的内容”。

⚠ 注意

表示“可能造成伤害或财产损失的内容”。

■必须遵守的内容用以下图标表示。（以下是图标的示例）

⊘ 划斜线的圆圈代表禁止的动作和行为。

● 实心圆圈代表强制性措施以及为确保安全操作而必须遵守的说明。

⚠ 危险

⊘ 禁止

• 本器具具有内置充电电池。

请勿将其投入火中、加热、或者在高温处充电、使用或放置。

否则会导致过热、起火或爆炸。

⚠ 警告

⊘ 请勿在浴室内搭配使用本器具与充电器。

• 在充电器会跌落或被拖入浴盆、水槽或马桶的位置，请勿放置或存放充电器。

否则会导致触电或起火。

⊘ 禁止

• 充电器已损坏或与电源插座的连接松动时，请勿使用本器具。

否则会导致触电、短路或起火。

• 请勿损坏、改造、强行弯折、拉扯或扭曲电源线。此外，请勿在电源线上面放置重物或夹紧电源线。

否则会导致触电或起火。

⊘ 避免沾水！

• 请勿将充电器浸没于水中，或者用水清洗。

否则会导致触电或短路。

⊘ 请勿用湿手接触

• 请勿用湿手在电源插座上插拔充电器。

否则会导致触电。

● 务必遵守！

• 请妥善处理本产品的包装袋，避免婴幼儿窒息等意外发生；请置于儿童触摸不到的地方，避免婴幼儿不慎吞食附件或拆分零部件。

• 进行维护时，请从电源插座上拔出充电器。

否则会导致触电。

• 定期清洁电器插头和充电器，以免积聚灰尘。

否则，积聚的灰尘受潮会导致绝缘不良，从而引发火灾。

• 务必在与其额定电压相符的电源上操作本器具。

否则会导致触电或起火。

⊘ 禁止拆卸！

• 切勿改装本器具。此外，请勿拆卸或修理。

否则会导致起火、触电或人身伤害。维修时（例如更换电池），请与您购买本器具的商店或 Panasonic 客户服务中心联系。

**注意****禁止**

- 婴幼儿、无操作能力者、口腔感觉迟钝者不得使用本器具。

否则会受到伤害。

- 除口腔清洗外，不得将本器具用于任何其他用途。

否则，在向眼睛、鼻子、耳朵或喉咙喷水时会受到伤害。如果您正在接受口腔治疗或患有严重的牙周病，请咨询牙科医生。

- 请勿在水箱内灌注高于 40℃ 的水。

否则会被烫伤。

- 不可撕毁电池保护膜。

以免造成漏水。

**务必遵守！**

- 拔出充电器时，请务必捏住充电器插头而非电源线。

否则会导致触电或短路，引发火灾。

- 保持本器具的卫生，使用流动的自来水或温水清洗口腔。

- 使用后务必倒出水箱内部的水，然后运行本器具 2 至 3 秒将水排干。

否则，在器具不卫生的情况下使用时，会由于霉菌和细菌的滋生而导致您的健康受到损害。此外，还可能产生异味和故障。

- 不使用时，请从电源插座上拔出充电器。

否则会导致触电或由于绝缘性能下降而引发电气火灾。

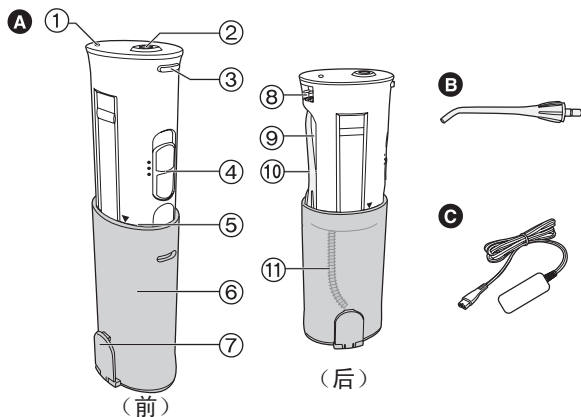
注意

- 本品不宜供肢体、感官或精神上有残疾者、缺乏经验和知识者（包括儿童）使用，除非有人对此类人加以监督或者对本品的使用加以指导，且对使用者的安全能承担

责任。

- 电源软线不能更换，如果软线损坏，此器具应废弃。

各部分名称



A 本体

- ① 充电指示灯
- ② 喷嘴插入孔
- ③ 喷嘴释放钮
- ④ 开关
- ⑤ 使用线 (▼标记)
- ⑥ 水箱
- ⑦ 供水盖

B 器具插口

- ⑧ 器具插口
- ⑨ 电池保护膜
- ⑩ 喷嘴储存舱
- ⑪ 吸水管

B 喷嘴 (×1)

C 充电器

► 注意:

主器具 (水箱、吸水管等) 的内部可能存有一些液体, 这是用于性能 (水流) 测试剩下的蒸馏水, 因此不必担

心健康问题。

► 使用本器具之前

即使是健康的牙龈一开始也可能会出血。这是因为牙龈还不习惯这种刺激造成的, 出血一般在1周或2周内停止。如果出血持续时间超过2周, 则可能是牙龈有问题 (牙周病等)。在这种情况下, 应停止使用本器具并咨询牙科医生。

为器具充电

- 请在 15 到 35℃ 的室温条件下对本器具充电。
- 在低温条件下 (低于 15℃) 充电时, 使用时间可能会缩短。此外, 温度过低时 (0℃ 以下), 可能无法充电。

1 关闭开关。

2 收回本体。

3 将充电器插孔牢固插入器具插口。

- 在擦掉插口上可能残留的水份之后, 方可插入充电器插孔。

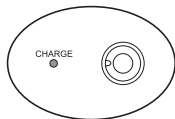
4 将充电器牢固插入电源插座。



5 确认充电指示灯亮起。

充电将在大约 8 小时内完成。

- 充满一次电可连续使用约15分钟。



- 将本体继续留在连接至电源插座的充电器上不会影响性能。

(一般情况下, 如果使电池反复充放电而不用完所充的电量, 将会产生记忆效应, 导致使用时间减少和放电电压下降。而本器具经过了特殊设计, 不会影响使用。)

- 如果在一开始使用时(刚购买后或3个月以上未经使用之后)或使用器具的过程中操作停止, 请务必充电16小时以上。如果在插入本体时充电指示灯一开始不亮, 请稍等片刻, 直至指示灯亮起。
- 充电时, 本体会略微变热, 这并不是故障。
- RE7-46充电器只能与本产品配合使用, 不能用于其它的产品或用途。
- 如果在正确充电的情况下使用时间仍然缩短, 则可能是电池寿命已尽。
(电池的预计使用寿命为3年, 但是, 根据其使用和存放方式的不同, 使用寿命会发生显著的改变。)

使用本器具

- 使用流动的自来水或温水。
- 将喷嘴放入口中之之前, 请勿开启开关。

1 打开供水盖。

2 将本体的白色部分向上拔出至使用线(▼标记)。

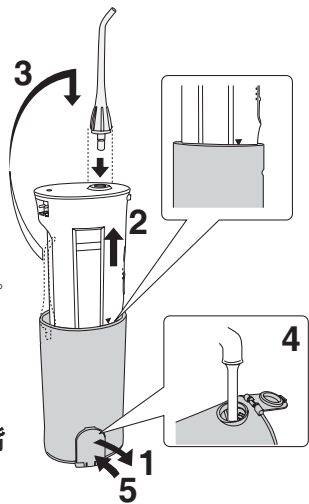
- 供水盖关闭时, 可能难以拔出本体。
- 只有将本体拔出至使用线, 水压才会升高。
- 此时, 喷嘴可能会从储存舱内弹出, 因此应小心操作。

3 握住本体的白色部分, 将喷嘴装入喷嘴插入孔。

- 牢固插入直至其发出咔哒声。

4 注入水。

- 建议使用流动的自来水。
- 如果感觉水温低, 可使用不超过 40℃ 的温水。
- 请勿注入盐、牙膏或化学制品。
- 为确保连续使用, 请关闭开关。



5 关闭供水盖。

- 注入水后，关紧供水盖。

6 将喷嘴放入口中。

- 如果器具倾斜过度，水箱内的吸水管可能会脱离水面而导致水流停止。

7 开启开关。

- 满箱可使用约 40 秒。

可以选择模式（强度）。

2（标准）

- 用于正常清洗

1（轻柔）

- 对您的牙龈不放心时
- 感觉 2（标准）模式太强时

• 请勿使喷嘴的顶端紧贴牙齿或牙龈。

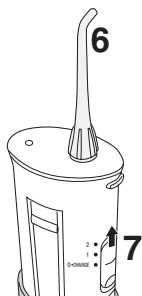
• 对于婴幼儿等自己无法操作本器具的人士，或口腔较为敏感的人士，应格外小心。

• 请勿跌落或粗暴对待本器具。

• 除器具排水外，请勿空箱操作。否则会导致故障。

► 提示

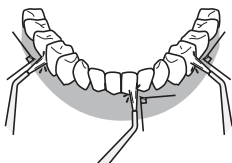
- 竖直握住器具，使喷嘴朝上。
- 将脸移到水槽上方。
- 将喷嘴放入口中。
- 略微合拢嘴以防止溅水。



充分清洗您的口腔

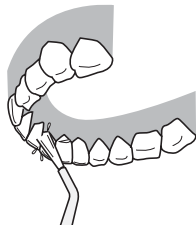
- 使水流尽可能垂直喷向牙齿之间和牙齿与牙龈之间的边缘。
- 沿牙齿慢慢移动。
- 应格外留意牙齿之间和牙套周围区域。

牙齿的前侧...



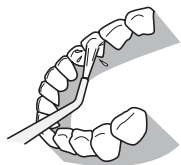
- 对牙齿垂直喷水。
- 应格外留意牙齿之间和牙齿与牙龈之间的边缘。

牙齿的后侧...



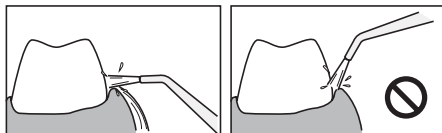
上牙

- 将喷嘴的角度调整为朝上的方向，对牙齿垂直喷水。



- 下牙**
 •降低下颚，对牙齿垂直喷水。

- 请勿直接向牙周袋内喷水。



使用器具之后

- 使用器具之后，会有细菌滋生的危险，因此应在彻底清洗并干燥之后再存放。

- 1** 打开供水盖，倒出水箱中的水。



- 2** 开启开关，将器具内部的水排干。

- 运行器具 2 至 3 秒，直至不再有水排出。

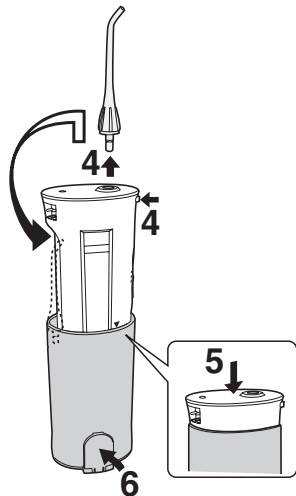


- 3** 关闭开关。

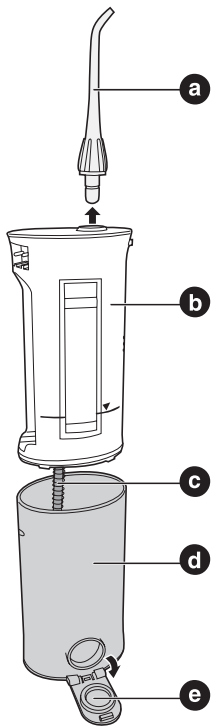
- 4** 按住喷嘴释放钮取出喷嘴，将其放到储存舱中。

- 5** 收回本体。
 •按压本体，直至其发出咔哒声。
 •小心不要让水箱的上部挤伤手指。

- 6** 关闭供水盖。



- 请将其裹在干净毛巾等物品中可吸收多余的水分后，然后将其存放在包内或类似物品中。
- 为防止细菌滋生，应尽早从包中取出器具使其干燥。



a 喷嘴

(按住喷嘴释放钮，取出喷嘴。) 用水清洗，然后用布擦干。

- 每 6 个月请更换喷嘴。如果喷嘴的顶端已变形，请更换一个新的喷嘴。否则，会导致故障。

b 本体

用蘸有液体肥皂的布除去污垢，然后再用干燥的布擦干净。如果本体很脏，可用水清洗。

- 请勿使用稀释剂、汽油、酒精等擦拭本器具。
- 否则会导致故障，部件开裂或褪色。
- 请勿使用高于 50℃ 的热水清洗。
- 请勿将器具浸没于水中。
- 用水清洗后，请擦掉水分。

c 吸水管

用水清洗，然后用布擦干。

- 请勿弯折吸水管。否则，会导致吸水管操作中断等故障。

d 水箱

在取下供水盖的情况下用力拔主体时，水箱会脱落，从而可以进行内部维护。

用水清洗，然后用布擦干。

- 用刷子之类的物品洗掉内部的污垢，然后用布擦干净。
- 长时间不使用时，应晾干水箱。

e 供水盖

擦掉污垢。

- 否则会导致漏水。

充电器

每 6 个月用干燥的布擦干净充电器插头的金属部分。

- 使用清洁剂时，请使用柔和的清洁剂。
- 切勿使用稀释剂、汽油或酒精，因为这些物质可能会导致故障或部件开裂 / 褪色。

如果您认为冲洗器发生故障

请进行以下检查。

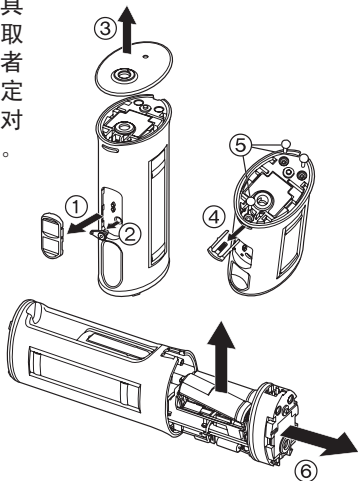
现象	可能的原因	措施
即使在充电之后也只能工作几分钟	▶ 电池寿命已尽（约3年）	▶ 与商店或 Panasonic 客户服务中心联系。（不能擅自更换电池，因为这可能导致防水性能下降或故障）
	▶ 充电时间太短。	▶ 对器具连续充电 16 小时以上以激活电池
器具不运行	▶ 刚购买之后或已有 3 个月未使用	▶ 连续充电 16 小时以上以激活电池。
水压太低	▶ 喷嘴内堵塞污垢	▶ 更换喷嘴
	▶ 喷嘴口被压坏	
无水流出	▶ 器具使用时倾斜过度	▶ 竖直使用本器具
	▶ 本体未充分拔出	▶ 完全拔出本体

如果在对器具进行检查并采取相应措施后故障依然存在，请停止使用以防止发生事故，到商店要求检修。

取出内置的充电电池

器具内藏有可充电的电池, 在消费者决定废弃器具前, 请务必将电池从器具中取出。

- 分解器具, 取出电池前, 一定要断开电源。
- 鼓励消费者在决定废弃器具前, 事先征求经销商或本公司指定维修点的意见, 尽量延长器具的使用寿命。
- 当消费者决定废弃器具又不想自行分解器具取出电池时, 鼓励消费者将器具送往本公司指定的维修站, 由维修站对电池进行分解和回收。
- 电池务必废弃于政府规定的地方或回收处理单位。
- 按右图所示①~⑥的顺序拆开本体, 卸下电池。



为了环境保护和原材料的回收

本器具含有镍氢电池。

如果贵国有官方指定的处理地点, 请务必到该地点处理废旧电池。

规格

产品名称	口腔冲洗器
产品型号	EW-DJ40
充电器额定输入	100-240V~, 180mA
充电器额定输出	5.4V ---, 1.2A
马达电压	2.4 V ---
充电时间	约 8 小时
重量	本体: 约 265g 充电器: 约 145g
原产地	中国
生产日期	请见商品上刻印
执行标准	GB4706.1 附录 B GB4706.59 Q/SXDGWB10

规格如有变更, 恕不另行通知。

本产品仅适合家庭使用。

附件

请洽询就近的商店。

购买时, 请核对“电器产品编号 (EW-DJ40)”和“替换喷嘴产品编号”。

替换喷嘴 (附 2 个)

EW0955

带有辨认环

Safety Instructions

All information in this section is provided to instruct you in the correct and safe operation of this appliance so that you can avoid injuries to yourself and others as well as damage to property.

■ **The harm or damage that is caused by improper use is described in categories.**

Danger

This indicates “content that may very likely cause death or severe injury”.


Warning


This indicates “content that may cause death or severe injury”.

Caution

This indicates “content that may cause injury or damage to property”.

■ **Content to be observed is described with the following icons. (The following are examples of icons)**

 A circle and slash symbolizes prohibited actions and behaviors.

 A solid circle denotes mandatory actions and instructions to be followed for safe operation.

Danger

Prohibited

- **This appliance has built-in rechargeable batteries. Do not throw into a fire, heat, or charge, use, or leave in a hot location.**

Doing so could result in overheating, fire, or explosion.

Warning

- **Do not use this appliance with the charging adaptor in the bath or shower room.**

- **Do not place or store the charging adaptor where it can fall or be pulled into a tub, sink or toilet.**

Doing so could result in electric shock or fire.

Prohibited

- **Do not use the appliance when the charging adaptor is damaged or the connection to the power outlet is loose.**

Doing so could result in electric shock, shorting, or fire.

- **Do not damage, destroy, modify, forcefully bend, pull, or twist the power cord. Also, do not place heavy objects on or clamp the power cord.**

Doing so could result in electric shock or fire.

- ** Avoid water contact!**

- **Do not immerse the charging adaptor in water, or wash with water.**

Doing so could result in electric shock or shorting.

- ** Do not touch with wet hands**

- **Do not insert or pull the charging adaptor from the power outlet with wet hands.**

Doing so could result in electric shock.

! Mandatory!

- **Children should be supervised to ensure that they do not play with the appliance. Keep these operating instructions in a safe place.**

- **Remove the charging adaptor from the power outlet when performing maintenance.**

Failure to do so could result in electric shock.

- **Clean the appliance plug and the charging adaptor periodically in order to prevent dust build up.**

Failure to do so could result in a fire, due to insulation failure caused by humidity on the built-up dust.

- **Always ensure the appliance is operated on an electric power source matched to its rated voltage.**

Failure to do so could result in electric shock or fire.

🚫 Do not dismantle!

- **Never alter the appliance. Also, do not disassemble or repair it.**

Doing so could result in fire, electric shock, or injury.

Contact the store where you purchased the appliance or Panasonic customer center for repair (such as battery change).

⚠ Caution

🚫 Prohibited

- **Toddlers, infants, people who are unable to operate and people with weak oral senses should not use this appliance.**

Failure to do so could result in injury.

- **Do not use for any purpose other than oral cleaning.**

Doing so could result in injury when the stream of water is pointed toward the eyes, nose, ears, or throat. Consult the dentist if you are receiving oral treatments or have severe periodontal disease.

- **Do not fill the tank with water warmer than 40 °C.**

Doing so could result in burns.

! Mandatory!

- **Always hold the power plug instead of the power cord when removing the charging adaptor.**

Failure to do so could result in electric shock or shorting, resulting in fire.

- **Keep the appliance sanitized and use fresh tap water or warm water when cleaning the mouth.**
- **Make sure to throw out the water inside the tank, and run the appliance for 2 to 3 seconds to drain the water after usage.**

Failure to do so could result in damage to your health if used without keeping it sanitized due to propagation of mold and bacteria. It may also result in odor and malfunction.

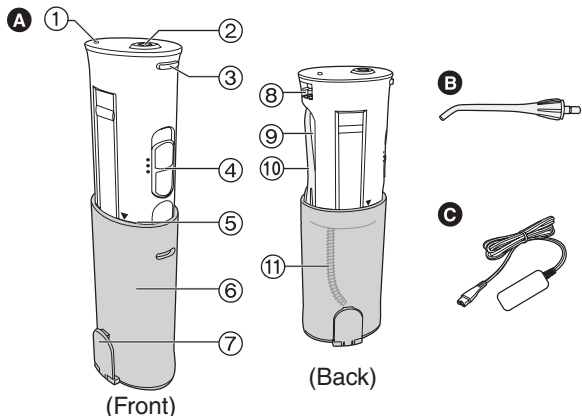
- **Remove the charging adaptor from the power outlet when it is not to be used.**

Failure to do so could result in electric shock or electrical fire due to insulation degradation.

Caution

- This appliance is not intended for use by persons (including children) with reduced physical, sensory or mental capabilities, or lack of experience and knowledge, unless they have been given supervision or instruction concerning use of the appliance by a person responsible for their safety.
Children should be supervised to ensure that they do not play with the appliance.
- The supply cord cannot be replaced. If the cord is damaged, the appliance should be scrapped.

Parts identification



A Main unit

① Charging indicator lamp

② Nozzle socket

③ Nozzle release button

④ Switch

⑤ Usage line (▼ mark)

⑥ Tank

⑦ Water supply cap

⑧ Appliance socket

⑨ Battery protection film

⑩ Nozzle storage compartment

⑪ Water suction tube

B Nozzle (x1)

C Charging adaptor

remaining distilled water that was used for the performance (water flow) test, so there are no health concerns.

► Before using the appliance

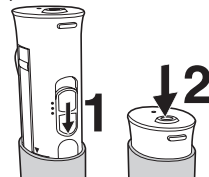
Initially bleeding may occur even with healthy gums. This is caused because the gums are not used to such stimulation. The bleeding will normally stop within 1 or 2 weeks of use. There may be a problem with the gums (periodontal disease, etc.) if the bleeding continues for over 2 weeks. In such cases, stop using the appliance and consult the dentist.

Charging the appliance

- Charge the appliance at 15 to 35 °C room temperature.
- Usage time may be shorter when charging in lower temperatures (under 15 °C). Also, it may not charge in very low temperatures (under 0 °C).

1 Turn the switch to OFF.

2 Store the main unit.



► Note

There may be some liquid remaining inside the main appliance (tank, water suction tube, etc.), but this is

3 Insert the appliance plug securely into the appliance socket.

- Insert the appliance plug after wiping any water that may be on the socket.

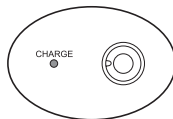


4 Insert the charging adaptor securely into the power outlet.

5 Check that the charging indicator lamp glows.

Charging is completed in approx. 8 hours.

- It can be used for 15 minutes with 1 full charge.



- If operation stops at the start of usage (immediately after purchase or after not using for 3 months or more) or while using the appliance, be sure to charge it for 16 hours or more. If the charging indicator does not glow initially when the main unit is plugged in, wait for a short while until it does.
- The main unit will become slightly warm while charging, but this is not a malfunction.
- Do not use any charging adaptor other than one specifically designed for this model (RE7-46).
- If the usage time gets short even if charged properly, it could be that the battery is worn out. (Expected life of the battery is 3 years, but it can change greatly depending on how it is used and stored)

- Leaving the main unit continuously on the charging adaptor connected to the power outlet does not affect performance.

(In general, repeatedly charging and discharging the battery without fully using up the charging capacity will cause a memory effect, which decreases the usage and lowers the discharge voltage. However this appliance has been devised in such a way that it will not affect the usage.)

Using the appliance

- Use with tap water or lukewarm water.
- Do not turn the switch to ON before placing the nozzle in your mouth.

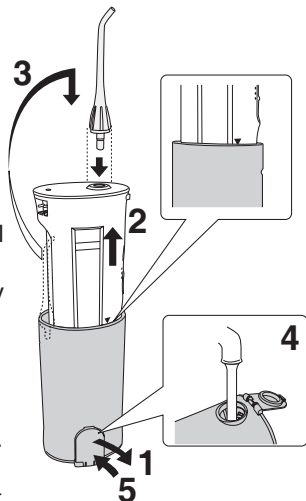
1 Open the water supply cap.

2 Pull out the white part of main unit up to the usage line (▼ mark).

- It may be hard to pull out the main unit with the water supply cap closed.
- Water pressure will not rise unless the main unit is pulled out to the usage line.
- Be careful since the nozzle might pop out from the storage compartment at this time.

3 Insert the nozzle into the nozzle socket holding onto the white part of the main unit.

- Insert it securely until it clicks.



4 Pour in water.

- Always use fresh tap water.
- If the water feels cold, use lukewarm water of up to 40 °C.
- Do not pour in salt, toothpaste, or chemicals.
- To continuously use, make sure the switch is set to OFF.

5 Close the water supply cap.

- Securely close after pouring in water.

6 Place the nozzle in your mouth.

- The water suction tube inside the tank may come out from the water and the flow of the water may stop when the appliance is tilted too much.

7 Turn the switch to ON.

- It can be used for approximately 40 seconds with a full tank.

Mode (strength) can be selected.

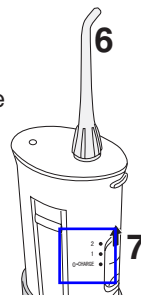
2 (Normal)

- For normal cleaning

1 (Soft)

- When you are worried about your gums
- When you feel 2 (Normal) is too strong

- Do not press the tip of the nozzle hard against the teeth or gums.



- Be extra cautious with those who cannot operate the appliance by themselves, such as infants or toddlers, or people with high oral sensitivity.
- Do not drop or handle it roughly.
- Do not operate when the tank is empty except to drain the water from the appliance. Doing so could result in malfunction.

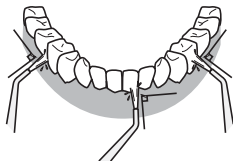
► Tips

- Hold the appliance vertically with the nozzle upward.
- Move your face above the sink.
- Place the nozzle in your mouth.
- Close your mouth slightly so the water will not splatter.

Cleaning your mouth well

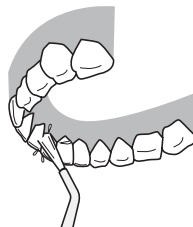
- Aim the stream as perpendicular as possible between the teeth or the edge between the teeth and gums.
- Move slowly along the teeth.
- Take extra care between the teeth and around braces.

Front side of the teeth...



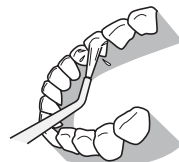
- Apply the stream perpendicular to the teeth.
- Take extra care between the teeth and the edge between the teeth and gums.

Back side of the teeth...



For the upper teeth

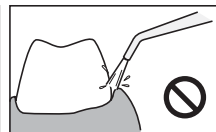
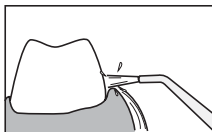
- Adjust the angle of the nozzle to face upward, and apply the stream perpendicular to the teeth.



For the lower teeth

- Pull your chin down, and apply the stream perpendicular to the teeth.

- Do not apply the stream directly into the periodontal pockets.



After using the appliance

- There is a risk of bacteria propagating, so wash thoroughly and dry before storing.

1 Open the water supply cap and dispose of the water in the tank.



2 Turn the switch to ON, and drain the water inside the appliance.

- Run the appliance for 2 to 3 seconds until no water comes out.



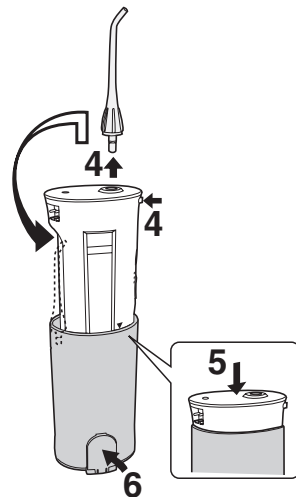
3 Turn the switch to OFF.

4 Press the nozzle release button, remove the nozzle and place it in the storage compartment.

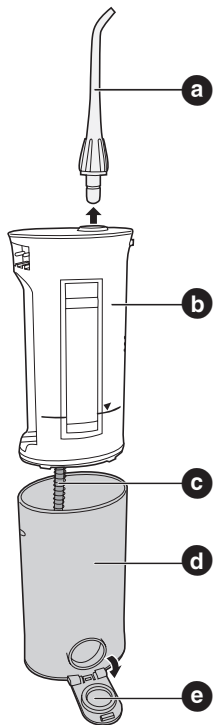
5 Store the main unit.

- Press it in until it clicks.
- Watch out not to clamp your fingers in the upper part of the tank.

6 Close the water supply cap.



- To store in a bag or similar after using the appliance, wrap it in a towel or similar to absorb any excess water.
- To prevent bacteria propagating, take it out from a bag or similar as soon as possible to dry.



a Nozzle

(Remove it while pressing the nozzle release button.)

Wash with water and wipe with a cloth.

- Please replace the nozzle about once every 6 months. If the tip of nozzle gets deformed, please replace with a new nozzle. Failure to do so could result in malfunction.

b Main unit

Remove the dirt by wiping using a cloth with liquid soap, and wipe off using a dry cloth.

Wash with water if it is very dirty.

- Do not wipe the appliance with thinner, benzene, alcohol, etc.
- Doing so could result in malfunction, cracking or discoloration of the parts.
- Do not wash using hot water of over 50 °C.
- Do not leave the appliance submerged in water.
- Dry after washing with water.

c Water suction tube

Wash with water and wipe with a cloth.

- Do not bend the water suction tube.

Failure to do so could result in malfunction such as disruption in the operation of the water suction tube.

d Tank

It will come off when the body is pulled hard while the water supply cap is removed, so perform maintenance of interior as well.

Wash with water and wipe with a cloth.

- Wash the dirt off from inside using a brush or similar, and wipe off with a cloth.
- Dry the tank when not using for a long period.

e Water supply cap

Wipe off any grime and dirt.

- Failure to do so could result in water leakage.

Charging adaptor

Wipe the metal part of the power plug with a dry cloth once every 6 months.

- Only use mild detergent.
- Never use thinners, benzene, or alcohol since it may cause malfunction or cracking / discoloration of the parts.

If you think it is malfunctioning

Check the following.

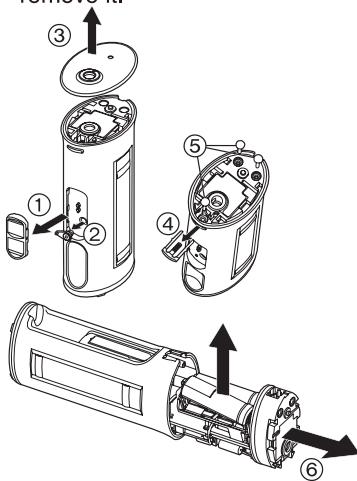
Symptom	Probable Cause	Action
It only works for a few minutes even after charging	▶ Battery is worn out (approximately 3 years)	▶ Contact the store or Panasonic Customer Center. (You cannot change the battery yourself because it may cause degradation of water proof performance or malfunction)
	▶ Charging time is too short	▶ Charge the appliance continuously for 16 hours or more to activate the battery
It does not operate	▶ It is immediately after purchase or has been left unused for 3 months	▶ Charge continuously for 16 hours or more to activate the battery.
Water pressure is low	▶ There is dirt stuck in the nozzle	▶ Replace the nozzle
	▶ Mouth of the nozzle is squashed	
Water does not come out	▶ The appliance is tilted too much while in use	▶ Use with the appliance in a vertical state
	▶ The main unit is not fully extended.	▶ Pull out the main unit all the way

If the problem remains even after the appliance is checked and action is taken, terminate usage to prevent any accidents, and request checkup and repair at a store.

Removing the built-in rechargeable batteries

Remove the built-in rechargeable battery before disposing of the shaver. Please make sure that the battery is disposed of at an officially designated location if there is one. Do not dismantle or replace the battery so that you can use the shaver again. This could cause fire or an electric shock. Replace it at an authorized service center.

- Remove the shaver from the charging adaptor when removing the battery.
- Perform steps ① to ⑥ and lift the battery, and then remove it.



For environmental protection and recycling of materials

This appliance contains Nickel-Metal Hydride batteries.

Please make sure that the batteries are disposed of at an officially assigned location, if there is one in your country.

Specifications

Product name	Rechargeable Oral Irrigator
Product model	EW-DJ40
Rated input	100-240V ~ , 180mA
Rated output	5.4V --- , 1.2A
Motor voltage	2.4 V ---
Charging time	approx. 8 hours
Weight	Main unit: approx. 265 g Charging adaptor: approx. 145 g
Place of origin	China
Date of production	Please engraving on the commodity.
Execution standard	GB4706.1 appendix B GB4706.59 Q/SXDGW B 10

Specifications are subject to change without notice.
This product is intended for household use only.

Accessories

Contact the stores close to you.

Check the “appliance product number (EW-DJ40)” and the “replacement nozzle product number” when purchasing.

Replacement nozzle (2 included)

EW0955

With identification ring

保修证

保修条款

有关保修期内Panasonic商品的保修（无偿修理），从购入之日起开始实施。

1.保修期内的商品只可在Panasonic认定维修店进行保修；保修时，请出示本保修证及购机发票。

以下两点需特别注意：

- 本保修证遗失后不再补发，请妥善保管。
 - 本保修证仅限于中华人民共和国国内有效(香港、澳门、台湾三地区暂不可使用)。
- 2.自购入之日起在以下期间内，在正常使用中发生故障的情况下进行保修。

- 整机（除商用产品）.....2年内无偿
- 整机（商用产品）.....6个月
- 替换喷嘴等附件.....有偿提供

3.属下列情况之一者，即使在保修期内，也不能以保修对待，但是可以实行收费修理：

- 未按商品使用说明书要求使用、维护、保管而造成损坏的；
- 因不正确操作、电源不正常、破损（如：摔落等）而造成损坏的；
- 不经Panasonic认定维修店维修人员拆卸造成损坏的；
- 不能出示本保修证及有效购机发票的；
- 保修证上记录的信息与商品实物标识不符或者涂改的；
- 因不可抗力因素（如雷电、地震、火灾、水灾等）造成损坏的。

4.本保修条款只适用于消费者个人为生活消费需要而购买使用的场合，不适用于经营性等使用。

【商品信息】

商品名称: 口腔冲洗器 产地: 中国·广州

商品型号: EW-DJ40 制造编号:

【保修回执】 以下回执是保修的重要依据，请勿自行撕下

商品型号: EW-DJ40 制造编号:

保修结算 4

商品型号: EW-DJ40 制造编号:

保修结算 3

商品型号: EW-DJ40 制造编号:

保修结算 2

商品型号: EW-DJ40 制造编号:

保修结算 1

商品型号: EW-DJ40 制造编号:

经销商留存

保修证管理编码印刷处：

本保修证内容如有变更恕不另行通知

【销售记录】 未完整记录以下信息将无法进行保修

销售日期：_____

发票号码：_____

安装调试日期：_____

销售店
(盖章)

顾客姓名：_____

联系电话：_____

顾客地址：_____

邮 编：_____

销售店名称：_____

销售店电话：_____

销售店地址：_____

邮 编：_____

【维修记录】

维修店名称：_____

联系电话：_____

送修日：_____

维修店地址：_____

故障原因：_____

邮 编：_____

维修内容：_____

故障原因：_____

维修内容：_____

维修员签字：_____

交验日期：_____

维修店名称：_____

联系电话：_____

送修日：_____

维修店地址：_____

故障原因：_____

邮 编：_____

维修内容：_____

故障原因：_____

维修员签字：_____

交验日期：_____

维修店名称：_____

联系电话：_____

送修日：_____

维修店地址：_____

故障原因：_____

邮 编：_____

维修内容：_____

故障原因：_____

维修员签字：_____

交验日期：_____

Panasonic客户咨询服务中心：

400-810-0781；800-810-0781 (固定电话)

Panasonic官方网站：<http://panasonic.cn>

松下电器 (中国) 有限公司

松下电工·万宝电器（广州）有限公司(PEWWBG)
Panasonic Electric Works Wanbao (Guangzhou) Co., Ltd.

工厂地址：广州市番禺区市广路万宝基地
(Address): Wanbao Base, Shiguang Road, Panyu District, Guangzhou

电话(Tel): (020)84770333

传真(Fax): (020)84773033

邮政编码 (Post Code): 511495

原产地：中国

中国印刷

Printed in China

EW9700DJ400405 S0709-0

发行：2009年07月