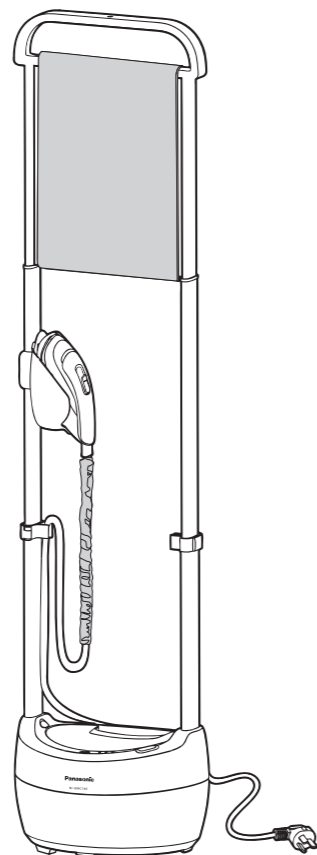


# Panasonic®

使用说明书  
(家庭用)蒸汽挂烫电熨斗

Operating Instructions  
(Household) Steam Iron

型号 / Model No. NI-GWC140



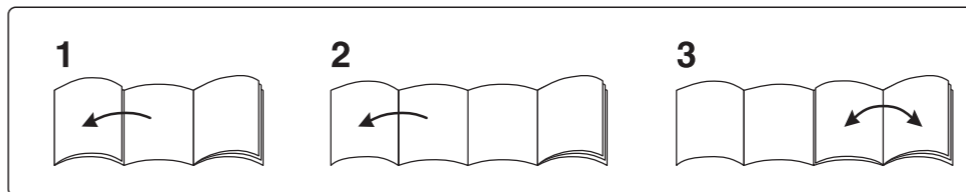
**CN** 中文 **6**

**EN** English **14**

衷心感谢您使用 Panasonic 蒸汽挂烫电熨斗！在使用本产品之前，请仔细阅读使用说明书，并保管好本手册，以供将来使用。

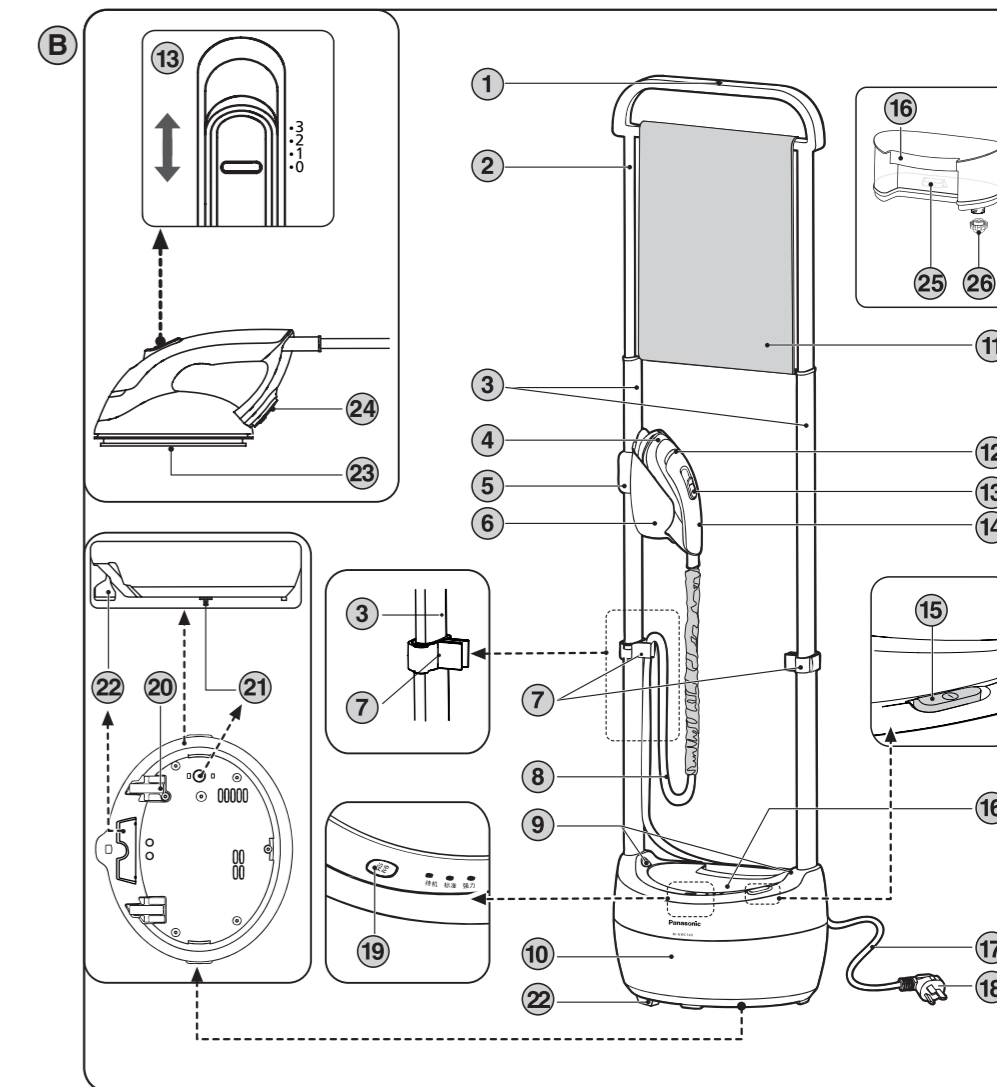
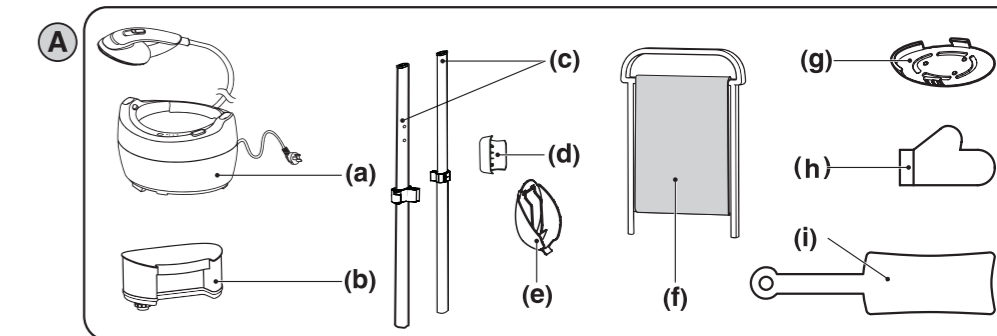
Sincerely thanks for using a Panasonic Iron. Before operating this product, please read the instructions carefully, and save this manual for future use.

松下·万宝(广州)电熨斗有限公司  
Panasonic Wanbao Appliances Electric Iron (Guangzhou) Co., Ltd.  
地址: 广州市番禺区钟村万宝基地万宝南街2号 原产地: 中国 电话(Tel): (020) 84770888  
Add: No.2, South Wanbao Street, Wanbao Base, Zhongcun, Panyu District, Guangzhou City  
Panasonic 客户咨询服务中心: 400-810-0781  
Panasonic Customer Services Center: 400-810-0781



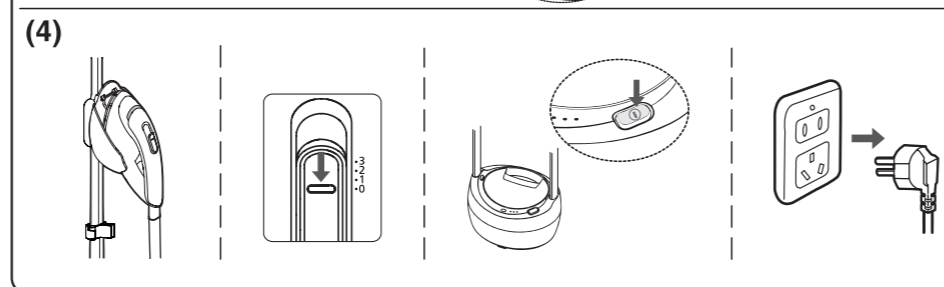
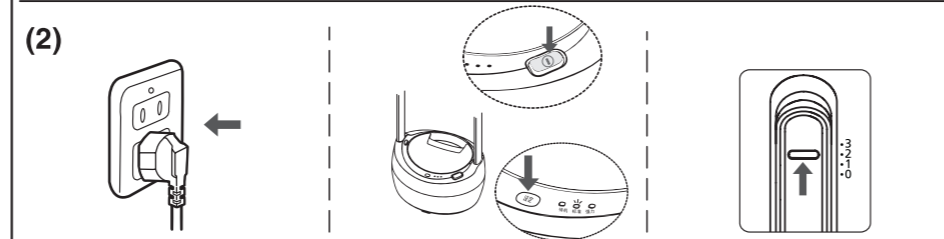
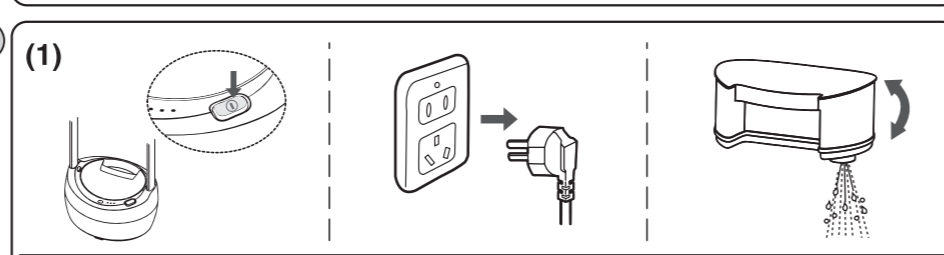
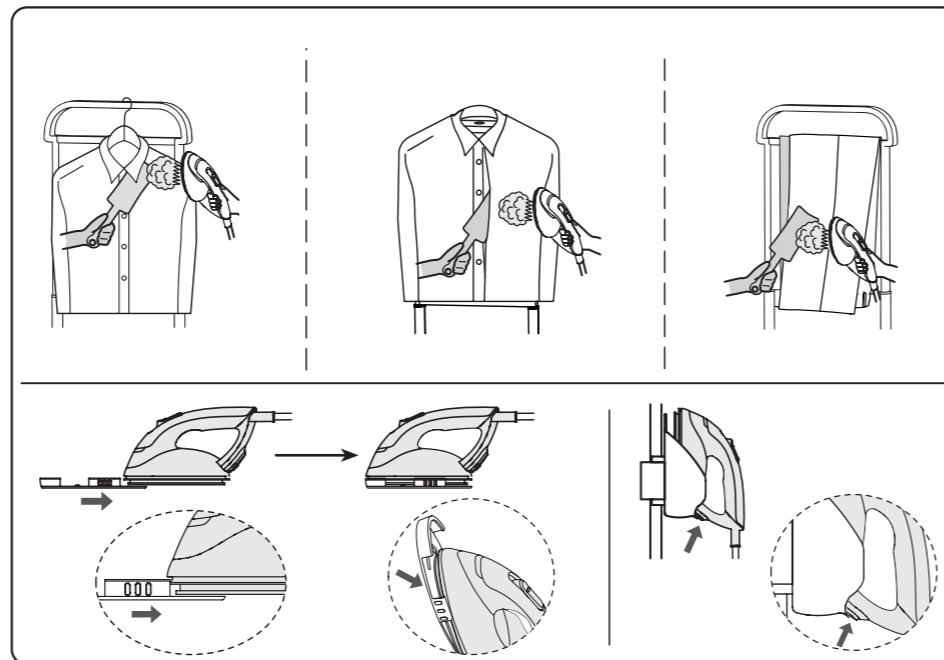
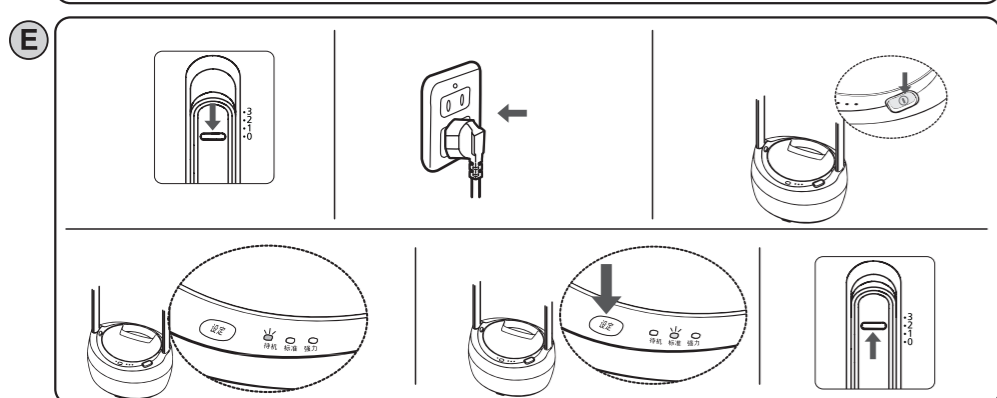
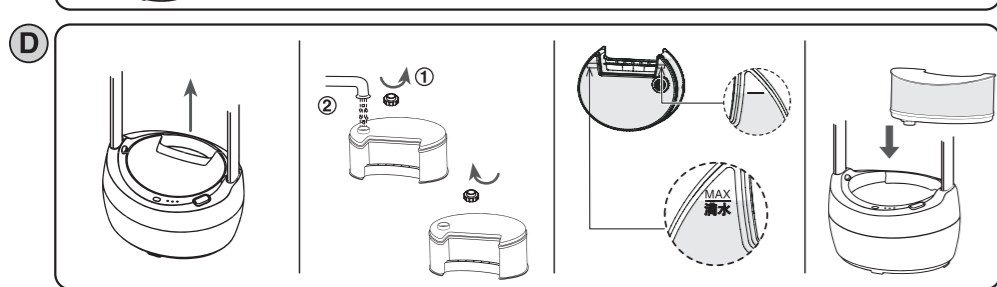
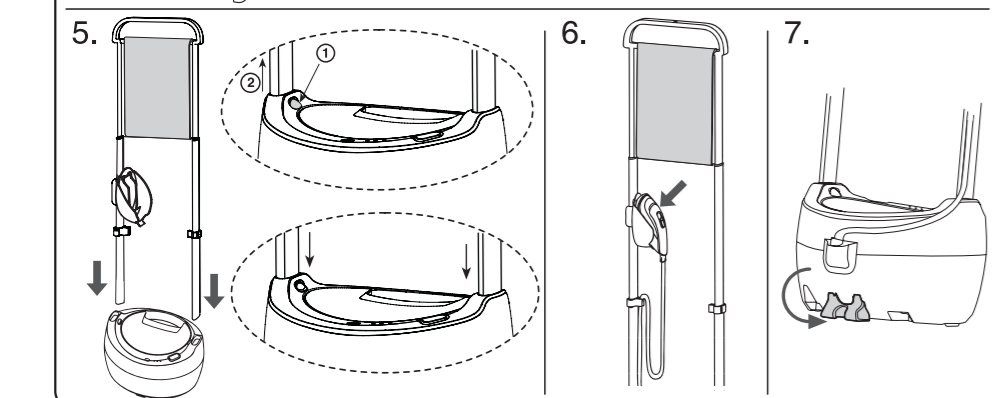
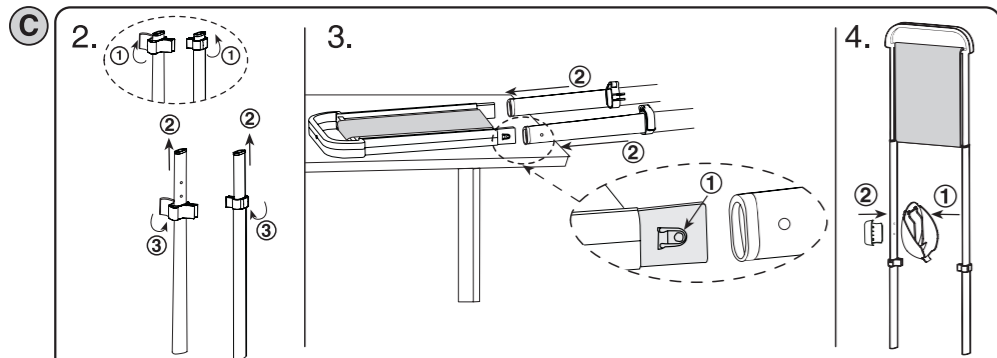
产品规格 SPECIFICATION		
额定电源 Rated voltage		220 V ~ 50 Hz
额定功率 Power		2 200 W
产品重量 Weight		约 (Approx.) 6.4 kg
产品尺寸(组装) Dimensions (assembly)		(长×宽×高) 约 36 cm × 32 cm × 154 cm (L×W×H) Approx. 36 cm × 32 cm × 154 cm
插头/电源线长度 Plug / Cord length		单相三极插头/长约 1.2 m Single-phase three core plug / Approx. 1.2 m
输汽管电线长度 Corded steam hose length		约 (Approx.) 1.5 m
熨烫面积 Iron surface		约 (Approx.) 88 cm <sup>2</sup>
水箱容量 Water tank capacity		约 (Approx.) 2.5 L
最长连续蒸汽时间 Max time of continuous steam		约 75 ~ 250 分钟(因蒸汽档位不同而异) Approx. 75 ~ 250 min. (Vary with the steam levels)
指示灯 Light indicator		温控指示灯 Thermostat indicator light
温度过升防止装置 Thermostat system		温度保险丝 Temperature fuse
执行标准 Execution Standard		GB4706.1-2005, GB4706.2-2007, GB4343.1-2009, GB17625.1-2012

功能表 FUNCTIONS			
蒸汽开关 Steam selector		6档蒸汽	6-Level steam
可拆卸水箱 Detachable water tank		是	Yes
防水垢装置 Anti-calc system		是	Yes
蒸汽关闭(手动) Steam off (Manual)		是	Yes
蒸汽暂停(自动) Automatic steam stop		是	Yes
滚轮移动底座 Movable base with rollers		是	Yes
2段调节伸缩杆 2-step adjustable Telescopic pole		是	Yes
自动断电 Automatic shut-off		是	Yes
倾倒断电 Falling shut-off		是	Yes
底座固定装置 Stand stopper		是	Yes



Website: <http://panasonic.cn> 中国印刷 发行: 2014年11月 i82006-0P33C

© 2014 松下·万宝(广州)电熨斗有限公司版权所有, 未经许可不得复制和散发, 否则违法必究。  
© 2014 Panasonic Wanbao Appliances Electric Iron (Guangzhou) Co., Ltd. All Rights Reserved.



中文

感谢您购买本公司的产品！  
本产品仅限于家庭使用

产品的安全使用

您和他人安全是最重要的！我们在产品和说明书上提供了重要的安全资讯，请认真阅读并遵守相关条款：

**警告** 这是安全警告符号，它警告您潜在的危險有可能使您和他人受伤甚至死亡。相关安全条款附在文字“警告”或“注意”之后，它们的含义是：

**警告** 如果您没有遵照此指示操作，您可能会受到严重的伤害甚至死亡。

**注意** 您必须注意，否则潜在的危險可能使您受到轻度的伤害或损坏您的物品。

安全条款会指出哪些潜在的危險，怎样避免和减少受伤的机会和您未按照此指示操作时可能会导致的后果。

重要安全警示

**警告** 为减少烫伤、触电、火灾等伤害到身体，请您使用此产品时，必须遵守相关的安全预防措施，包括：

在使用本产品之前，请仔细阅读此说明书的所有条款

- 当产品接通电源期间，使用者不得离开。
- 如有异常或故障，请立即停止使用并拔下电源插头，否则可能会造成火灾、触电或受伤。并请立即委托指定的维修店检查或维修。  
<异常示例>
  - 产品时而停止运行、电源线或电源插头异常发烫、或者发生变色。
  - 产品变形或散发出烧焦气味。
- 输入电压必须符合产品底座上标明的额定电压，否则可能导致火灾、触电或受伤。
- 只能使用本产品应有的功能熨烫衣物，请不要熨烫或喷蒸汽到穿在身上的衣物，以免烫伤或受伤。
- 请不要把产品浸入水中或其它液体中，以免触电。
- 将插头拔出时必须抓住插头，不能拉电源线或用湿手触及电源线。
- 在加水或倒水、清洁产品或不使用产品的时候必须将电源插头拔掉。
- 在产品接通电源期间，使用者不能离开，并避免让小孩接触。
- 请不要让电源线接触熨烫头部的高温表面。
- 本产品的电源线或插头出现任何损坏时，为了确保安全，请勿擅自更换电源线，务必委托本公司指定的维修店更换。请勿将本产品的电源线用于其它电器产品。

AFTER SERVICE	
For after service, if there are any questions, please inquiry to shop or telephone 400-810-0781.	
① Warranty card (append)	Get the warranty card from shop purchased this product, read completely and store carefully, confirm the warranty card have been recorded [purchased date, name of the shop etc.].
② Require repairing	Contact with the specified service agent if can't deal according to the table of 《TROUBLE-SHOOTING GUIDE》.
Warranty period	According to the warranty card, provide the the specified service agent with the electric iron and warranty card.
Exceed warranty period	Repair by the specified service agent, it will be charged according to regulations, if repair by others, please contact with the the the specified service agent.

- 发生异常时(冒烟或着火)须立即停止使用并拔出插头，然后向本公司指定的维修店咨询。否则可能导致触电或火灾。
- 如果产品发生跌落、有可见的损坏迹象或有渗漏现象，则不能使用。请不要自行拆机维修，应送指定的维修店修理。
- 熨烫头部必须稳固地放在放置架上，并确保底座放置的表面是平稳的，且在平烫时，熨烫头部必须在稳定的表面上使用,否则会造成底板刮花，熨斗倒下会造成身体受伤或烫伤。
- 伸缩杆上的衣架板不能挂放衣物以外的物品，也不能挂放熨烫头部，否则可能会造成产品倾倒，损坏本产品或造成伤害。
- 在熨烫过程中安装或取下衣物护理罩时，必须关闭蒸汽，并配戴隔热手套操作，否则可能会造成烫伤。
- 不要在输气管电线缠绕的状态下使用本产品。否则可能会导致输气管电线损坏，触电和火灾。
- 不要拉输气管电线来移动底座。否则，可能会导致输气管电线损坏，触电和火灾。
- 请注意衣物护理罩上可能会因为使用蒸汽而产生热的冷凝水。
- 请勿改装放置架的位置。否则可能会损坏本产品和造成伤害。
- 本产品不适合下列人士(包括儿童)使用: 身体感官或心智能力退化者，或缺乏经验及知识的人(除非负责其安全的人在场监督或指导)。
- 请勿让小孩将本产品当成玩具。否则可能导致触电或受伤。
- 切勿改装、拆卸或修理本产品(否则可能会因为异常操作而导致火灾或伤害)，请务必委托本公司指定的维修店修理。
- 本产品只能使用带接地线的插座，请将电源插头完全插入插座中,否则可能会引起火灾或触电。
- 不要损坏或改造、或用力弯曲、拉扯、扭曲电源线，也不要放置任何重物在电源线上或挤压到电源线,否则可能会导致触电或短路引起火灾。
- 不要在手湿的时候使用本产品(否则可能会导致触电或短路引起火灾)。
- 不要把产品存储在浴室或湿度高的地方，也不要产品放在可能有水溅落的位置(如盥洗室台面)，否则可能会导致触电或火灾。
- 不要让产品靠近易燃物品(如汽油)，否则可能会引起爆炸或火灾。
- 定期清洁插头，以防止灰尘堆积(否则潮湿造成的绝缘失效可能会引起火灾)，请拔下插头，并用干布擦拭。
- 如果插入家用电源插座的电源插头松动时，请勿使用,否则可能会导致烧伤、触电或因短路而引起火灾。
- 切勿在手湿的情况下将电源插头连接到家用电源插座中或从家用电源插座中拔出,否则可能会导致触电或受伤。
- 切勿将针或其他异物插入底板,否则可能会导致火灾、触电或者烧伤。
- 请妥善处理本产品的包装袋，使其远离婴幼儿。否则有可能导致婴幼儿窒息等意外发生。

# 注意

为降低受伤或物品损坏的风险:

<p>使用期间, 不要用手接触高温部位(底板表面、衣物护理罩、放置架及其附近的高温部)。(会造成烫伤)</p> 	<p>使用期间, 不要触碰蒸汽。(会造成烫伤)</p> 	<p>不要侧倒放置底座。(会造成漏水、地板和地毯损坏)</p> 
<p>不要把熨烫头部放在底座上。(会造成产品、地板和地毯损坏)</p> 	<p>请勿倒置或倾斜放置熨烫头部; 请按指示正确放置熨烫头部。(会造成产品跌落、受伤或烫伤)</p> 	

 禁止接触。
  禁止此类情况发生。
  请按图示去做。

- 请勿在水箱中加入香水、醋、淀粉、除垢剂、熨烫辅助剂或其他化学物品, 以免沾污衣物。加水时请使用常温的自来水。
- 用户应小心使用产品的水箱并避免跌落, 否则可能会造成水箱损坏而漏水, 水流到地板上可能造成滑倒或其它各种的伤害。
- 当按下电源按钮“①”并且等到“标准”或“强力”指示灯停止闪烁后才能使用蒸汽, 否则热水会从底板的蒸汽孔漏出造成烫伤。
- 请等待产品完全冷却后再移动底座, 否则有可能造成烫伤。
- 可能会有底板面突然喷出蒸汽的情况, 请不要将底板面近距离地对向自己或他人。否则有可能造成烫伤。
- 使用产品时, 请注意防止由于蒸汽喷溅的危险。
- 将本产品用于高级或者特制衣物时, 请先在衣物隐蔽处试用, 否则可能会导致衣物损坏。
- 切勿将本产品用于织物以外的物品(如皮革), 否则可能会导致其损坏。
- 请勿把衣物夹在底板与放置架之间。否则底板温度高有可能烫坏衣物。
- 搬动产品时, 请不要通过衣架板来提起整个产品, 否则可能导致产品跌落、受伤。

## 阅读说明书

为正确地使用您的产品, 请认真阅读所有安全注意事项和操作指南。

## TROUBLE-SHOOTING GUIDE

Please get your product checked and repaired by the specified service agent if you can not solve your problem according to the following solutions.

Problem	Causes	Solution
No heating	The Power plug has not been plugged in or the Power button has not been pressed down.	Insert the Power plug and be sure to press the Power button.
	The Power base is positioned on a rough floor (eg. Thick Plush Carpet), causing the Falling switch not to be pressed.	Position the Power base on a flat floor.
	The product circuit fails or the fuse is broken down.	Have your product repaired by the specified service agent.
No steam	The Steam selector is not turned on.	Set the Steam selector to the proper level of steam.
	The Water tank is empty.	Fill the Water tank with water.
	The Corded steam hose is bent and thus the water cannot smoothly run through it.	Ensure the Corded steam hose is not bent.
	The Water tank is not be installed correctly to the Power base.	Attach the Water tank to the Power base correctly.
Water leaks out from the Power base	The Water fill cap is loose or damaged.	Close the cap correctly or have your product repaired by the specified service agent.
	The Water tank is broken.	Have the Water tank replaced by the specified service agent.
	The internal pipe are loose or damaged.	Have your product repaired by the specified service agent.
The Telescopic pole slips down unexpectedly	The garment on the hanger is too heavy.	Lighten the weight loaded to the hanger (less than 3kg).
	The Lock hook is damaged.	Have the Telescopic pole replaced by the specified service agent.
Scale appears on the Soleplate	Tap water may be polluted by the rusted iron water pipe, and the steam ejected from the soleplate may have scale.	Inject clean water, and after the iron is powered on and switched to the steam function, press and rub the soleplate hard on a wet cloth repeatedly until the scale is cleaned.
The Power base makes a noise	The Water Tank is empty, causing the racing of the water pump, thus making a noise.	Fill water again(according to «HOW TO FILL WATER»).

## F AUTOMATIC SHUT OFF

When you forget to shut off power, it will automatically shut off.

- When Standard steam or Powerful steam is set and Iron head is positioned on the hanger being left unused for 10minutes ,the heating circuit will power off automatically, and Standby indicator turns on.
- To use again, press the " 设定 " button and select Standard steam or Powerful steam as desired.

## G HOW TO CARE FOR AND STORE YOUR PRODUCT

### ● Anti-scale

The anti-scale device is equipped in the tank to soften the water quality and reduce the mineral content of the water; meanwhile, it prevents the scale from in the iron, thus extending the life of the iron.

### ● AFTER EACH USE

Please clean and maintain your product as the following.

#### (1) Drainage, Cleaning and Maintenance of the Water tank

1. Turn off the Power button, unplug the Power plug.
2. Take out the Water tank from the Power base, rotate to open the cover, shake the Water tank to clean its inner wall with the remaining water (or after filling proper amount of water), and then drain the Water tank.

#### (2) Handling method of the remained water in the Power base

1. After draining the Water tank, insert the Power plug and press down the Power button"Ⓐ", and press the " 设定 " to select the Powerful steam.
2. Hold the Iron head horizontally and set the Steam selector to the Powerful (" 2 " or " 3 ") steam position.
3. The remained water in the Power base will be transported to the hot Soleplate and become steam ejected from the Soleplate.
4. Wait until the steam has come out completely from the Soleplate, and then set the Steam selector to the " 0 " position.
5. Turn off the Power button, unplug the Power plug.

#### (3) Cleaning and Maintenance of the Iron head and Power base

1. Unplug the Power plug, wait until the Iron head, Iron holder and Power base have fully cooled down.
2. Wipe the surface of the Soleplate and the Power base with a soft cloth. For stubborn stains, use a soft cloth dipped with neutral detergent to clean.

**Note:** Never use such cleaning products as the thinner, cleanser and volatile solvent to wash the Iron head or the Power base; otherwise damages may be caused.

#### (4) Storage

1. Place the Iron head into the Iron holder.
2. Set the Steam selector to the " 0 " position.
3. Turn off the Power button, unplug the Power plug.
4. Store the product in a safe place.

## A 产品清单确认

请确认部件是否齐全：数量各1件

(a)	(b)	(c)	(d)	(e)	(f)	(g)	(h)	(i)
主机 (熨烫头部+底座)	水箱	伸缩杆 组件	放置架 固定盖	放置架	衣架板 和熨衣 布套	衣物 护理罩	隔热手套	熨烫 辅助板

## B 各部位的名称

- |          |         |            |                |
|----------|---------|------------|----------------|
| ① 衣架挂孔   | ⑨ 锁定按钮  | ⑮ 电源按钮     | ⑳ 底座固定装置       |
| ② 衣架板    | ⑩ 底座    | ⑯ 水箱       | ㉓ 底板           |
| ③ 伸缩杆    | ⑪ 熨衣布套  | ⑰ 电源线      | ㉔ 蒸汽自动暂<br>停开关 |
| ④ 熨烫头部   | ⑫ 温控指示灯 | ⑱ 插头       | ㉕ 水垢抑制盒        |
| ⑤ 放置架固定盖 | ⑬ 蒸汽开关  | ⑲ 蒸汽强度设定键  | ㉖ 注水口盖         |
| ⑥ 放置架    | ⑭ 把手    | ⑳ 底座滚轮(底部) | 待机：待机指示灯       |
| ⑦ 挂钩     |         | ㉑ 倾倒开关     | 标准：标准蒸汽指示灯     |
| ⑧ 输汽管电线  |         |            | 强力：强力蒸汽指示灯     |
- 0: 关闭蒸汽  
1: 低档蒸汽  
2: 中档蒸汽  
3: 高档蒸汽

## C 产品的组装

组装产品时，请在平坦稳固的地方进行。

1. 将底座、伸缩杆组件、衣架板等配件从包装箱内取出。
2. 松开挂钩上的锁定扣，将伸缩杆向上拉到合适高度，再将锁定扣压紧。
3. 在衣架板上安装伸缩杆，安装时将伸缩杆顶端的孔对准衣架板的连接脚后，按住衣架板连接脚外侧的小凸点将其插入伸缩杆。
4. 将放置架安装在伸缩杆上，并用放置架固定盖将其固定。
5. 按正确的安装方向将伸缩杆插进底座上的接口内，直到听到“咔”的声音。如果需要取下伸缩杆重新安装时，首先请务必取下衣架板，然后在按下锁定按钮的同时，向上取出伸缩杆。
6. 将熨烫头部挂放在伸缩杆上的放置架上。
7. 在产品背面扶住伸缩杆，将产品向前略微倾斜，然后将底座固定装置放下，固定底座。除非移动产品，否则请务必放下底座固定装置。

**注意：**放下底座固定装置时，将产品扶稳。

## D 水箱的加水

1. 将组装好的产品放置在一个平稳的地方。
2. 在底座水箱槽中轻轻向上提起水箱，将其取出。
3. 把水箱反过来拿稳，使其底部向上。
4. 拧开水箱底部的注水口盖，把水箱稳固放在水龙头下方，根据需要加入适量的水，然后再拧紧注水口盖。
5. 将水箱安装在底座上，要注意水箱与底座稳固配合。

**注意：**a) 加水时，不要超过满水的刻度线。(查看满水刻度时必须先拧紧注水口盖)  
b) 水箱容量约2.5L，可供高档蒸汽使用约75分钟，请根据需要加入适量的水。

## E 产品的使用方法

1. 把蒸汽开关设置在“0”位置，把熨烫头部挂放在放置架上。
2. 将电源插头插入家用电源插座中，接通电源。
3. 按下电源按钮“①”，待机指示灯点亮。根据需要按下“设定”按钮选择标准蒸汽或强力蒸汽，此时，标准蒸汽指示灯或强力蒸汽指示灯开始闪烁，底板开始加热。
4. 加热约1分钟后，标准蒸汽指示灯或强力蒸汽指示灯会停止闪烁并保持长亮，即可使用。

**注意：**在熨烫过程中温控指示灯会交替地点亮和熄灭，以提示底板正处于加热状态和加热完成状态。

### ● 衣物纤维及熨衣方式

衣物纤维	衣物护理罩	模式	蒸汽设定	蒸汽强度
腈纶、醋酸纤维	使用	标准	1档： 适用于需要少量蒸汽的薄 织物或软织物。(注意使 用衣物护理罩) 2档或3档： 适用于需要较多蒸汽的织 物(亦即稍厚布料、有皱纹 的衣物)。	小
尼龙、丝绸				1-
涤纶、人造丝				2-
羊毛	不使用	标准	1档： 适用于需要较大蒸汽量的织 物。(注意使用衣物护理罩) 2档或3档： 适用于需要大量蒸汽的织物。	3-
棉布、亚麻				-1
厚腈纶、醋酸纤维	使用	强力	1档： 适用于需要较大蒸汽量的织 物。(注意使用衣物护理罩) 2档或3档： 适用于需要大量蒸汽的织物。	-2
厚尼龙、丝绸				-3
厚涤纶、人造丝				大
厚羊毛	不使用	强力	1档： 适用于需要较大蒸汽量的织 物。(注意使用衣物护理罩) 2档或3档： 适用于需要大量蒸汽的织物。	
厚棉布、亚麻				

**注意：**在熨烫不耐高温布料(如腈纶、醋酸纤维、尼龙、丝绸、涤纶、人造丝)的衣物时，请勿关闭蒸汽开关，以免烫坏衣物。

### ● 蒸汽挂烫的使用方法

1. 把要挂烫的衣物用晾衣架挂在衣架板的衣架挂孔上。
2. 根据需要按下“设定”按钮选择标准蒸汽或强力蒸汽，此时，标准蒸汽指示灯或强力蒸汽指示灯开始闪烁，底板开始加热。
3. 当标准蒸汽指示灯或强力蒸汽指示灯停止闪烁后，可根据所需的蒸汽量设置蒸汽开关。
  - 首次使用蒸汽时，蒸汽喷出可能会需要少许时间。
  - 可先将蒸汽开关设定到高档来缩短蒸汽喷出的时间。当蒸汽开始喷出后，再根据您的需要设定到适当的档位。
  - 连续输出蒸汽一段时间后，蒸汽输出会趋于平缓，这属于正常现象，建议整理或更换衣物时随手关闭蒸汽。
4. 在熨烫过程中可同时用手拉直衣物，使衣物烫得更平整。
5. 使用衣物护理罩熨烫时，请先安装衣物护理罩到底板上(安装或取下衣物护理罩时请关闭蒸汽并配戴隔热手套操作)，然后再进行熨烫。(可参考“衣物纤维及熨衣方式”)
6. 可将熨烫辅助板放在衣物(衣领、衣袖、口袋等)后面辅助熨烫。

**Note:** Do not turn off the steam switch when ironing not high-temperature resistant fabrics (eg. acrylic fibers, cellulose acetate fiber, nylon, silk, polyester, rayon) to avoid burning the clothes.

### ● HOW TO USE AS A VERTICAL STEAM IRON

1. Hang your garment on a hanger, and then attach the hanger to the Hanger hole on the Hanger board.
2. Press the "设定" to select the Standard steam or Powerful steam as required, and the corresponding indicator begins to blink and the Soleplate begins to heat up.
3. After the Standard steam or Powerful steam indicator stop blinking automatically, set the Steam selector according to the required steam amount.
  - It may take some time to jet out steam when you use the product for the first time.
  - It may take a shorter time to jet out steam if you set the Powerful steam. After steam erupts, press to select an appropriate mode as required.
  - After steam has been coming out for a period of time, the jet of steam tends to slow down. This is normal. We recommend to turn off the steam when you sort out or change your clothes.
4. To get better results, pull the garment tight with one hand while ironing with the other hand.
5. To iron with the Fabric protective cover, be sure to turn off the steam and operate by wearing an insulated glove and attach the Fabric protective cover onto the Soleplate before ironing. (Refer to the section "FABRIC AND IRONING RECOMMENDATIONS".)
6. To facilitate ironing, place the Ironing auxiliary board behind the collar, sleeves, pockets and other positions of the garment if necessary.

**Note:** a) When attaching the Fabric protective cover, make sure its edges snap into the grooves on the Iron head completely.  
b) Do not allow the hot Soleplate directly touch the Hanger board and the Ironing auxiliary board, otherwise it may cause them to be damaged.  
c) Do not iron on the same place of the Hanger board, otherwise it may produce condensate water. If condensate water is found, turn down the steam level.

### CLOSING OF STEAM

1. Manually turning off steam: Set the steam switch to the "0" position or press the "设定" button on the Power base to set to the "待机" indicator position and shut off the steam.
2. Automatic steam stop: When the Iron head is placed into the Iron holder, the Automatic steam stopper will stop the steam temporarily. When you pick up the Iron head for use, the steam will be turned on automatically and return to the status before closing.

### ● HOW TO USE AS A HORIZONTAL STEAM IRON

When necessary, this product can be used as a horizontal steam iron.

1. Put your garment flat on the ironing board.
2. Press the "设定" to select the Standard steam or Powerful steam as required, and the corresponding indicator begins to blink and the Soleplate begins to heat up.
3. After the Standard steam or Powerful steam indicator stop blinking automatically, set the steam selector according to the required steam amount.
4. Select a proper ironing method according to the fabric type.  
(Refer to the section "FABRIC AND IRONING RECOMMENDATIONS".)

**Note:** The Soleplate can get pretty hot in use. Be careful not to damage clothes while ironing them on an ironing board.

4. Install the Iron holder on the Telescopic pole, and then fixed it with the Iron holder hook.
5. Insert the Telescopic pole into the connector on the Power base correctly, until a "click" sound is heard.
6. Place the Iron head into the Iron holder on the Telescopic pole.
7. Hold the Telescopic pole on the back of the appliance, tilt the appliance forward slightly, put down the Stand stopper. Be sure to the Stand stopper is set except during move the appliance.

**Note:** Hold the product properly when you set the Stand stopper.

## D HOW TO FILL WATER

1. Place the assembled product on a flat and stable place.
2. Lift the Water tank upward gently in the Water tank slot of the Power base and take it out.
3. Invert the Water tank upside down, and hold it bottom up.
4. Open the Water fill cap at the bottom of the Water tank. Put the Water tank under a faucet and fill it with proper amount of water, and then close the Water fill cap correctly.
5. Attach the Water tank back to the Power base until they are interlocked.

**Note:** a) Do not fill water over the "满水(MAX)" line.  
(Be sure to fasten the Water fill cap before you check the full scale mark.)  
b) The Water tank capacity is approx. 2.5 L, and it is available for about 75 minutes of High steam usage. Fill it with proper amount of water according to your need.

## E HOW TO USE

1. Set the Steam selector to the "0" position, put the Iron head into the Iron holder.
2. Insert the Power plug into the household outlet.
3. Press the Power button "ⓘ". At the same time, the Standby indicator also light up. Press the "设定" to select the Standard steam or Powerful steam as required, and the corresponding indicator begins to blink and the Soleplate begins to heat up.
4. After heating for about one minute, the Standard steam indicator or Powerful steam indicator will stop blinking and keep solid on. Now it can be used.

**Note:** During ironing, the Thermostat indicator light lights on and off alternately to indicate that the Soleplate is heating up or has heated up.

### ● FABRIC AND IRONING RECOMMENDATIONS

Fabric	Fabric protective cover	Mode	Steam setting	Amount of steam
ACRYLIC, ACETATE	Use	Standard	Level 1: For thin or delicate fabrics requiring a small amount of steam.	Small ↑ 1— 2— 3—
NYLON, SILK			Level 2 or Level 3: For fabrics requiring relatively large amount of steam.	
POLYESTER, RAYON			Level 2 or Level 3: For fabrics requiring relatively large amount of steam. (i.e. thick materials, items with stubborn wrinkles.)	
WOOL	Don't use	Powerful	Level 1: For fabrics requiring relatively large amount of steam.	—1 —2 —3 ↓ Large
COTTON, LINEN			Level 2 or Level 3: For fabrics requiring a lot of steam.	
THICK ACRYLIC, THICK ACETATE	Use	Powerful	Level 1: For fabrics requiring relatively large amount of steam.	—1 —2 —3 ↓ Large
THICK NYLON, THICK SILK			Level 2 or Level 3: For fabrics requiring a lot of steam.	
THICK POLYESTER, THICK RAYON			Level 2 or Level 3: For fabrics requiring a lot of steam.	
THICK WOOL	Don't use	Powerful	Level 1: For fabrics requiring relatively large amount of steam.	—1 —2 —3 ↓ Large
THICK COTTON, THICK LINEN			Level 2 or Level 3: For fabrics requiring a lot of steam.	

**注意:** a. 安装衣物护理罩时, 衣物护理罩的边缘要完全卡入熨烫头部的槽内。  
b. 请勿让高温的底板直接接触衣架板和熨衣辅助板, 以免导致其损坏。  
c. 请不要在衣架板的同一位置连续熨烫, 以免产生冷凝水, 如发现冷凝水, 请把蒸汽档位调低。

### 蒸汽的关闭

1. 手动关闭蒸汽: 设置蒸汽开关到“0”位置切断蒸汽或按下底座的“设定”键, 设置到“待机”的指示灯位置, 切断蒸汽。
2. 自动暂停蒸汽: 把熨烫头部放在放置架上时, 蒸汽自动暂停开关就会暂时关闭蒸汽。当您拿起熨烫头部再次使用时, 蒸汽就会自动打开, 恢复到关闭前的蒸汽状态。

### ● 蒸汽平烫的使用方法

必要时, 还可以采用平烫的方式。

1. 把要熨烫的衣物平放在熨衣板上。
2. 根据需要按下“设定”按钮选择标准蒸汽或强力蒸汽, 此时, 标准蒸汽指示灯或强力蒸汽指示灯开始闪烁, 底板开始加热。
3. 当标准蒸汽指示灯或强力蒸汽指示灯停止闪烁后, 根据所需的蒸汽量设置蒸汽开关。
4. 根据衣物纤维选择适合的熨衣方式。(可参考“衣物纤维及熨衣方式”)

**注意:** 由于底板温度比较高, 平烫时请多加注意, 以免烫坏衣物。

## F 自动断电功能

当您忘记切断电源时, 可自动断电。

- 当设置为标准蒸汽或强力蒸汽时, 熨烫头部置于放置架上静止约10分钟, 加热电路会自动断电, 待机指示灯亮起。
- 若要再通电, 按下“设定”按钮, 根据需要选择标准蒸汽或强力蒸汽。

## G 产品的保养和存放

### ● 防水垢

在水箱里装有防水垢装置, 能软化水质, 降低水中矿物质含量; 使水垢不会积聚在熨斗中, 延长熨斗的使用寿命。

● 每次使用后, 请进行以下的清洁和保养。

#### (1) 水箱的排水及清洁

1. 关闭电源按钮, 拔出电源线插头。
2. 从底座上取出水箱, 拧开注水口盖, 晃动水箱内剩余的水(或再加入适量的水)清洗水箱内壁, 然后将水倒干净。

#### (2) 底座残留水的处理

1. 倒干净水箱内的水后, 接通电源, 按下电源按钮“ⓘ”, 并按下“设定”按钮选择强力蒸汽。
2. 水平地拿着熨烫头部, 把蒸汽开关设置在强力蒸汽(“2”或“3”)位置。
3. 底座里的残留水被传送到高温的底板后变成蒸汽从底板喷出。
4. 直到底板没有蒸汽喷出后, 把蒸汽开关设置在“0”位置。
5. 关闭电源按钮, 拔出电源线插头。

### (3) 熨烫头部、底座的清洁保养

1. 关闭电源后，待熨烫头部、放置架和底座充分冷却。
2. 用软布擦拭熨烫头部的底板和底座表面等部位，出现污渍时，可用软布沾中性洗涤剂擦拭。

**注意：**切勿使用稀释剂、去污粉或挥发性溶剂等清洁类用品来清洗，它们会损坏产品。

### (4) 存放

1. 把熨烫头部正确放在放置架内。
2. 确认蒸汽开关设置在“0”位置。
3. 确认关闭电源按钮，拔出电源线插头。
4. 请将产品置于安全处保管。

## 常见故障及处理方法

如果按照以下方法仍然无法处理故障，请送指定维修店检修。

故障现象	可能造成的原因	处理方法
底板不热	电源插头没插上或电源按钮没按下。	插上电源插头，确实按下电源按钮。
	底座放置在不平整的地板(如厚厚的毛绒地毯)上，导致倾倒开关没有压下。	将底座放置在平整的地板上。
	产品电路故障或保险丝烧断。	送指定维修店检修。
不出蒸汽	蒸汽开关未设置到蒸汽档位置。	设置蒸汽开关到所需蒸汽档位置。
	水箱没水。	按加水指示给水箱加水。
	汽管弯折，输汽无法畅通。	保证输汽管不要弯折。
底座漏水	水箱没正确安装到底座上。	正确安装水箱到底座上。
	水箱的注水口盖没拧紧或损坏。	拧紧注水口盖或送指定维修店修理。
	水箱破裂。	到指定维修店更换水箱。
伸缩杆自动下滑	内部配管松脱或破损。	送指定维修店检修。
	衣架上的衣物过重。	减轻衣架承载的衣物(少于3kg)。
底板出现水垢	卡扣损坏。	到指定维修店更换伸缩杆。
	由于自来水可能因水管锈蚀造成水质污染，所以底板孔喷出的水汽可能会出现水垢物。	加入干净的水，在熨斗通电后蒸汽开启的状态下，在一平稳表面上将底板压在湿布上，反复用力摩擦，直到水垢物清除为止。
底座发出响声	水箱没水，会使水泵发生空转，并发出响声。	重新加水(参照《水箱的加水》)。

- Be sure to use the steam after pressing the Power button "①" and waiting for the "标准" or "强力" indicator to stop blinking, otherwise the hot water may leak from the steam hole and causes scalding.
- Do not move the Power base until it have fully cooled down, it may cause scald.
- Do not put the Soleplate too close to you or others since steam may unexpectedly erupt from it, otherwise it may cause scald.
- Care should be taken when using the appliance due to the emission of steam.
- Test on an inconspicuous area when using with high-end or specially processed items. Failure to do so may cause damage fabric.
- Do not use the appliance with the exception of fabric(e.g. leather). Failure to do so may cause damage it.
- Do not clip the fabric between the Soleplate and Hanger. Otherwise, the hot Soleplate may burn and damage the fabric. so may cause damage it.
- When moving the product, please do not come to bring the product through the hanger plate, otherwise it may cause the product to fall, hurt.

## READ THESE INSTRUCTIONS

For proper use of your iron, read the remaining safety cautions and operation instructions.

### A CONFIRMATION OF COMPONENTS

Please confirm that the components are all present: each 1 for following component

(a)	(b)	(c)	(d)	(e)	(f)	(g)	(h)	(i)
Product (Iron head & Power base)	Water tank	Telescopic pole assembly	Iron holder hook	Iron holder	Hanger board & Ironing cloth cover	Fabric protective cover	Insulated glove	Ironing auxiliary board

### B COMPONENTS IDENTIFICATION

① Hanging hole	⑩ Power base	⑰ Power cord	⑳ Soleplate
② Hanger board	⑪ Ironing cloth cover	⑱ Power plug	㉑ Automatic steam stopper
③ Telescopic pole	⑫ Thermostat indicator light	㉒ Setting button	㉓ Scale inhibitor
④ Iron head	⑬ Steam selector		㉔ Water fill cap
⑤ Iron holder hook	⑭ Handle		㉕ Standby indicator light
⑥ Iron holder	⑮ Power button	㉖ Standard steam indicator light	
⑦ Lock hook	⑯ Water tank	㉗ Powerful steam indicator light	
⑧ Corded steam hose		㉘ Power base roller (bottom)	
⑨ Lock release button		㉙ Falling switch	
		㉚ Stand stopper	

### C HOW TO ASSEMBLE

Be sure to assemble your product on a flat and stable floor.




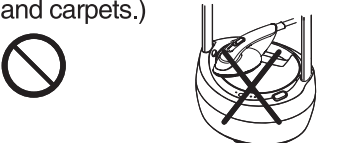
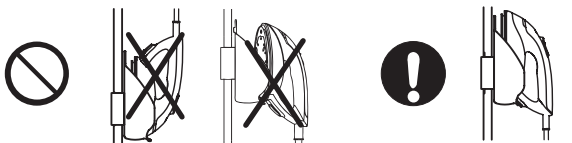
1. Take the Power base, Telescopic pole, Hanger board and other accessories out of the package.
2. Release the Lock hook on the Telescopic pole, pull the Telescopic pole upward to a proper height, and then lock the Lock hook.
3. Install the Telescopic pole on the Hanger board. Align the hole on the top of the Telescopic pole with the connecting pin of the Hanger board, press and hold the little bump outside the connecting pin of the Hanger board and insert it into the Telescopic pole.



- Do not store the appliance in a bathroom or location with high humidity. Also, do not place in a location where water may spill (such as top of a vanity). Doing so may cause electric shock or fire.
- Do not use in proximity of flammable materials (such as benzene). Doing so may cause an explosion or fire.
- Regularly clean the Power plug to prevent dust from accumulating. Failure to do so may cause fire due to insulation failure caused by humidity. Disconnect the Power plug and wipe with a dry cloth.
- Never use the appliance if the Power plug fits loosely in a household outlet. Doing so may cause burn, electric shock, or fire due to a short circuit.
- Do not connect or disconnect the Power plug to a household outlet with a wet hand. Doing so may cause electric shock or injury.
- Do not insert pins or other foreign objects into the Soleplate. Doing so may cause fire, electric shock, or burn.
- Properly dispose the package bag of the appliance, keep the package bag away from infants. Failure to do so may cause suffocation of infants from happening.

## CAUTION

To reduce the risk of personal injury and damage to your belongings:

<p><b>Don't touch the hot surface (such as Soleplate, Fabric protective cover, Iron holder and the hot surface around it).</b> (May cause scalds)</p> 	<p><b>Do not touch the steam during use.</b> (May cause scalds)</p> 	<p><b>Do not place the Power base sidelong.</b> (May cause water leakage, and then damage floors and carpets.)</p> 
<p><b>Do not place the Iron head directly on the Power base and floor.</b> (May damage the product, floors and carpets.)</p> 	<p><b>Do not turn the Iron head upside-down or incline it, put the Iron head back correctly as instructed.</b> (May cause the product to fall, injury or burns)</p> 	



Prohibit contact.



Prohibit such accident occurring.



Operate based on.

- Do not add perfume, vinegar, starch, descaling agents, ironing aids or other chemicals in the Water tank, they can stain fabrics; instead, use room temperature tap water for it.
- Be careful to use the Water tank to avoid falling, it may cause water leak to the floor and cause slipping or other variety of injuries.

## 售后服务

关于售后服务，如有不明白之处，请向销售店或致电 400-810-0781 咨询。

① 保修证(另附)	在购买本产品时从销售店领取，阅读完后，妥善保管。必须确认保修证上是否记载了[购买日期、销售店名]等。
② 需要修理时	按上述《常见故障及处理方法》仍然不能处理时，请与指定维修店联系。
保修期内	到指定的维修店要求修理，按保修证规定，向指定维修店提交需修电熨斗、保修证及购机发票。
超过保修期内	向指定维修店要求修理，按规定进行收费修理。

**HOUSEHOLD USE ONLY****SAFE USE OF THE IRON****Your safety and the safety of others is very important.**

We have provided important safety messages in this manual and on your appliance. Always read and obey all safety messages.



This is the safety alert symbol. It is used to alert you to potential hazards that can kill or injure you and others. The safety messages will follow the safety alert symbol and either the word "WARNING" or "CAUTION". These words mean:



**This describes issues which could cause death or serious injury.**



**This describes issues which could cause minor injury or damage your belongings.**

The safety messages will tell you what the potential hazard is, how to avoid and reduce the chance of getting injured, and what can happen if the instructions are not followed.

**SAFETY PRECAUTION**

When using your iron, basic safety precautions should always be followed, including the following:



**To reduce the risk of burns, electric shock, fire, or injury to persons:**

**READ ALL INSTRUCTIONS BEFORE USING THE IRON**

- Independently use a household outlet, and do not use extension cord. Failure to do so may cause electric shock or fire.
- Immediately stop using and remove the Power Plug if there is an abnormality or malfunction. Failure to do so may cause fire, electric shock, or injury. Immediately request inspection or repair at an authorized service center. <Examples of abnormalities>
  - ◆ The appliance stops occasionally, or the Power Cord or the Power Plug is abnormally hot, or discoloured.
  - ◆ The appliance is deformed or smells of burning.
- Always ensure the appliance is operated on an electric power source matched to the rated voltage indicated on the appliance. Failure to do so may cause fire, electric shock or injuries.
- Use the iron only for its intended purpose, for ironing fabrics. To protect against burns or injury to persons, do not iron or steam fabrics while being worn on the body.
- To protect against any risk of electric shock, do not immerse the product in water or other liquids.
- Unplug the Power plug to disconnect from outlet by grasping the plug, do not pull the Power cord or touch it with wet hands.

- Always unplug the appliance during filling, emptying, cleaning and not in use.
- Do not leave the iron unattended while it is connected to the mains. Keep it away from children.
- Do not allow the Power cord to touch hot surfaces of the Iron head.
- If the Power cord or Power plug is damaged, it must be replaced by our authorised service agent to avoid a hazard. Do not apply the Power cord to other electrical appliances.
- If you notice any smoke or fire coming out from the product, stop using it immediately and unplug the unit from the mains to avoid fire or electric shock. Contact our service agent to seek further assistance. Doing so may cause electric shock or fire.
- The iron is not to be used if it has been dropped, if there are visible signs of damage or if it is leaking. Do not repair by yourself; it should be repaired by the designated service center.
- The Iron head must be firmly rested on the Iron holder, and the Power base must be placed on a flat and stable floor. When this product is used as a horizontal steam iron, the iron must be used on a stable surface. Otherwise, the Soleplate may be scratched, or even injuries or scald may be caused if the Iron head falls over.
- The Hanger board of the Telescopic pole cannot hold the exception of clothes or Iron head. Otherwise, the product may fall over, resulting in product damages or personal injuries.
- During ironing, if you want to install or remove the fabric protective cover, be sure to turn off the steam and operate by wearing an insulated glove, otherwise it may cause scald.
- Do not use the appliance with Corded steam hose entangled. Doing so may cause the Corded steam hose damage, electric shock and fire.
- Do not move the Power base by pulling the Corded steam hose. Doing so may cause the Corded steam hose damage, electric shock and fire.
- Beware that hot condensed water may be produced on the Fabric protective cover due to steaming.
- Do not change the installation location of the Iron holder, Otherwise it may result in product damages and personal injuries.
- This appliance is not intended for use by persons (including children) with reduced physical, sensory or mental capabilities, or lack of experience and knowledge, unless they have been given supervision or instruction concerning use of the appliance by a person responsible for their safety.
- Children should be supervised to ensure that they do not play with the appliance. Doing so may cause electric shock or injuries.
- Never modify, disassemble, or repair. Doing so may cause ignition or injury due to abnormal operation. Contact an authorized service agent for repair.
- This iron must use the electrical outlet with earth connection. Fully insert the plug. Failure to do so may cause fire or electric shock.
- Do not damage or modify, or forcefully bend, pull, or twist the Power cord. Also, do not place anything heavy on or pinch the Power cord. Doing so may cause electric shock or fire due to a short circuit.
- Do not use the appliance with a wet hand. Doing so may cause electric shock or fire due to a short circuit.